

ABOUT US

POWER SUPPLIES

BATTERY DOC

PRESS RELEASES

SALES

DESKTOP Single Output 35 to 65 Watt

- A family of single output, 35-65 Watt, universal input switching power supplies
- Meets international and domestic commercial safety standards
- Includes "Power On" LED indicator

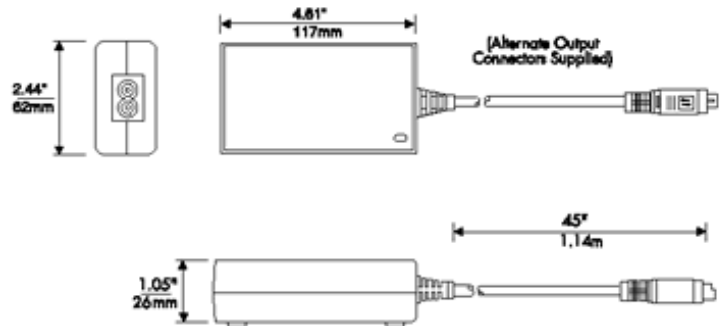


Ordering Information

Model Number	Nominal Power	Output, DC	
		Volts	Amps
OTE-35-05-X	35	5	7.0
OTE-35-07-X	35	7	5.0
OTE-42-06-X	42	6	7.0
OTE-45-10-X	45	10	4.5
OTE-48-12-X	48	12	4.0
OTE-60-12-X	60	12	5.0
OTE-65-15-X	63	15	4.2
OTE-65-16-X	65	16	4.1
OTE-65-17-X	65	17	3.8

X = 2, 2 PIN, IEC-320C8
 X = 3, 3 PIN, IEC-320C6
 All units can be customized to meet specific needs.

[Download Desktop Single Output 35-65 Watt Brochure](#)



SPECIFICATIONS

ELECTRICAL

INPUT

- Universal, 90 - 264Vac, 47-63 Hz, single phase
- Inrush current:
 - 40A Max @ 115Vac & cold start
 - 80A Max @ 230Vac & cold start

OUTPUT

- Ripple * 1 % p-p of output voltage measured differentially
- Max total regulation ** 5 %
- Max start-up time 3.5 s at 110VAC
- Holdover 12 ms minimum at 110VAC

**Ripple voltage measurement is done with an oscilloscope set at 20 MHz bandwidth and output terminated with 0.1uF ceramic capacitor and 47uF aluminum capacitor at full load and nominal line.*

***Includes line, load, temperature and set point.*

EFFICIENCY

- 80 % minimum

PROTECTION

- Output short circuit protection

LEAKAGE CURRENT

- Less than 250uA

MECHANICAL

- AC socket IEC-320C8 (C6, 3 PIN)
- Output cord 1.14m
- Output connector Barrel (center positive)
- "Power On" LED indicator Green
- Case color Black
- Dimensions (L x W x H), mm 117 x 62 x 26
- Weight typical, g 230

ENVIRONMENTAL

- Operating temperature 0 to + 40 °C
(at full rated output power with natural convection cooling and in non-restricted environment)
- Storage temperature -20 to +85 °C
- Operating humidity 10 to 90%
- Storage humidity 5 to 95%

HI-POT TEST

- Primary to Secondary 3000Vac / 1 minute @ 10mA max

EMI COMPLIANCE

- FCC part 15J Class B
- CISPR 22 (EN 55022) Class B

SAFETY APPROVALS

- UL 1950
- cUL 1950
- TUV EN 60950

Contact Us 850 Greenview Drive, Grand Prairie, Texas 75050 Phone: 972.988.6828 Fax: 972.641.7089