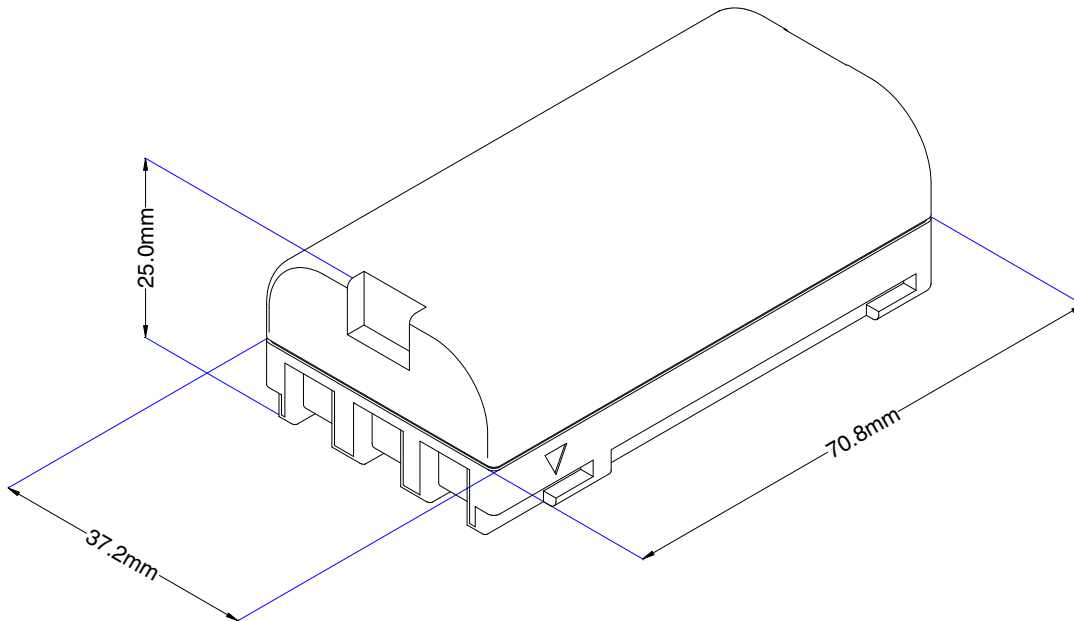


# U80041

Totex Manufacturing



U80041

## Description

U80041 series battery can be used in many small portable applications including camcorder, PDT's, and test equipment. Each battery is designed and manufactured in the United States using the highest quality PCB, cells and plastics.

## Features

- High quality Japanese cells
- Durable plastics

## Data

Maximum discharge current	2.0 A
Maximum pulse current (20ms)	2.3 A
Maximum charge rate	2.0 A
Discharge/Charge Temperature	0 to 55C

## Dimensions of Battery

Width	Length	Height
37.20 mm 1.46 in	70.80 mm 2.79 in	25.00 mm .98 in

## Cell Specifications

<b>Voltage</b>	3.6V
<b>Cells</b>	2 Lithium-ion 18500
<b>Chemistry</b>	Lithium-ion
<b>Rated Capacity</b>	2600 mAh based on .1C discharge

