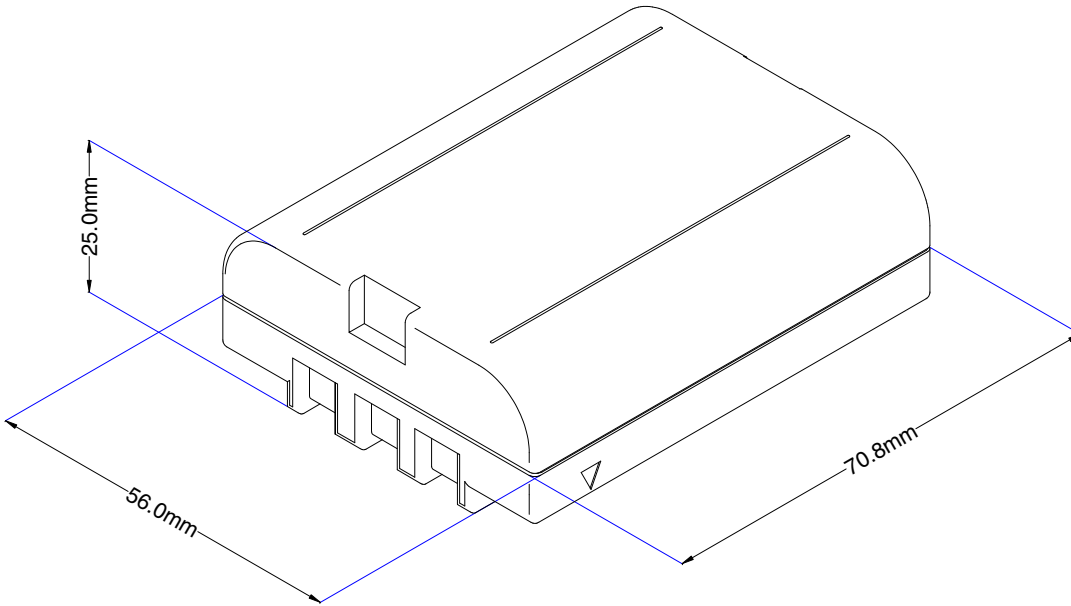


U80040

Totex Manufacturing

U80040



Description

U80040 series battery can be used in many small portable applications including camcorder, PDT's, and test equipment. Each battery is designed and manufactured in the United States using the highest quality PCB, cells and plastics.

Features

- High quality Japanese cells
- Durable plastics

Data

- Maximum discharge current 2.0 A
- Maximum pulse current (20ms) 2.3 A
- Maximum charge rate 2.0 A
- Discharge/Charge Temperature 0 to 55C

Dimensions of Battery

Width	Length	Height
56.00 mm 2.20 in	70.80 mm 2.79 in	25.00 mm .98 in

Cell Specifications

Voltage	3.6V
Cells	3 Lithium-ion 18650
Chemistry	Lithium-ion
Rated Capacity	6000 mAh based on .1C discharge

