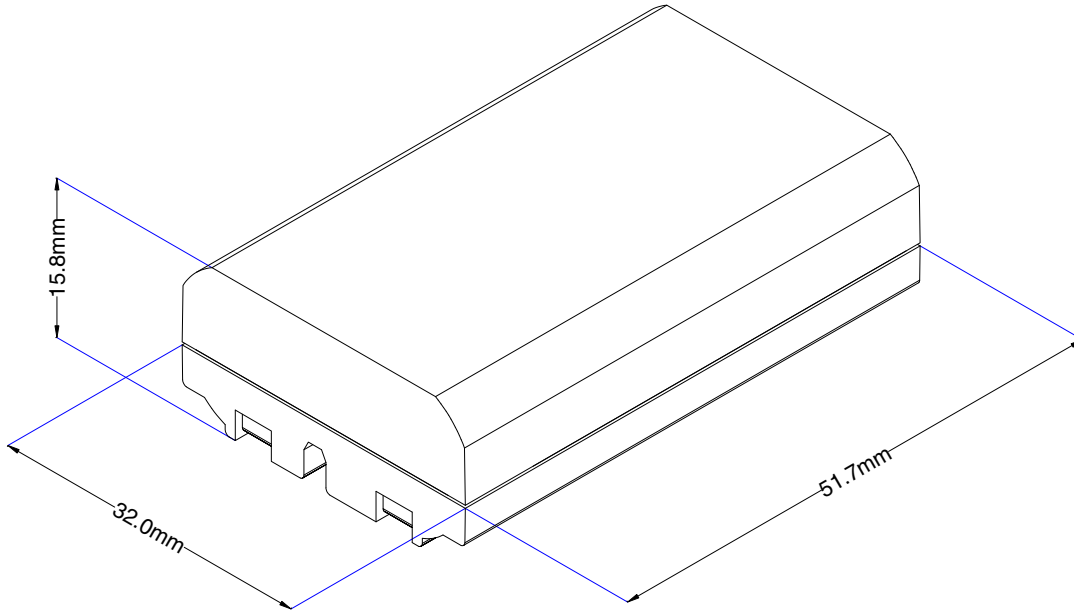


U80036

Totex Manufacturing

U80036



Description

U80036 series battery can be used in many small portable applications including camcorder, PDT's, and test equipment. Each battery is designed and manufactured in the United States using the highest quality PCB, cells and plastics.

Features

- High quality Japanese cells
- Durable plastics

Data

Maximum discharge current	650 mAh
Maximum pulse current (20ms)	1.0 A
Maximum charge rate	650 mAh
Discharge/Charge Temperature	0 to 55C

Dimensions of Battery

Width	Length	Height
32.00 mm	51.7 mm	15.8 mm
1.26 in	2.04 in	.62 in

Cell Specifications

Voltage	7.2V
Cells	2 Lithium-ion 14500
Chemistry	Lithium-ion
Rated Capacity	650 mAh based on .1C discharge

