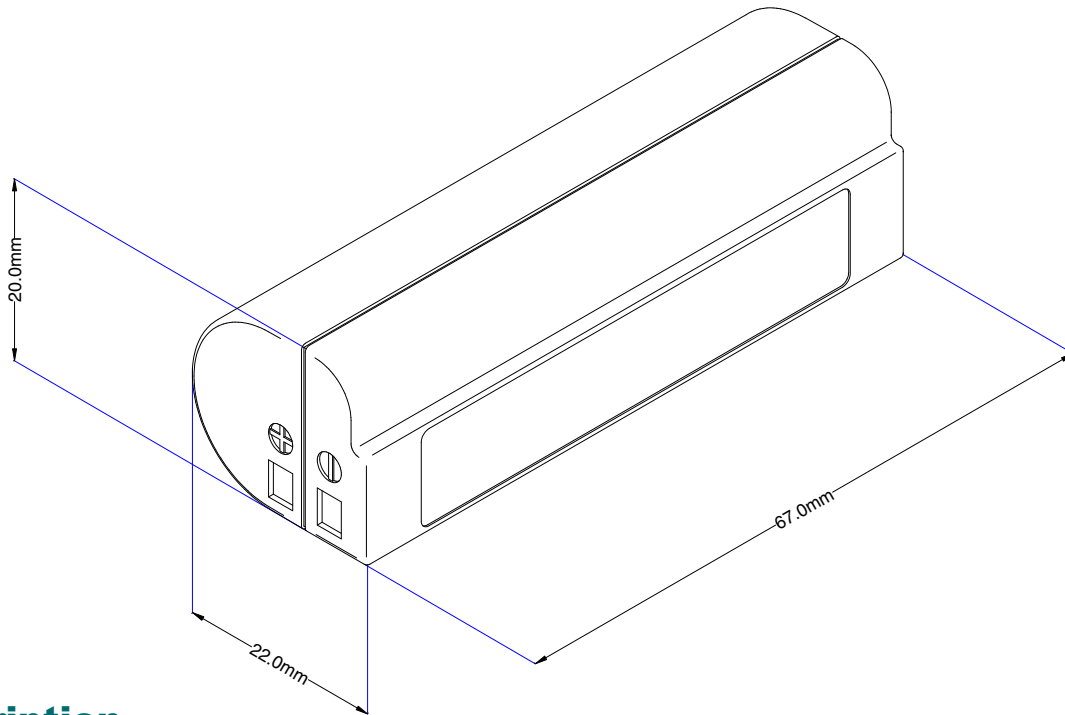


U80031

Totex Manufacturing

U80031



Description

U80031 series battery can be used in many small portable applications including camcorder, PDT's, and test equipment. Each battery is designed and manufactured in the United States using the highest quality PCB, cells and plastics.

Features

- High quality Japanese cells
- Durable plastics

Data

| | |
|------------------------------|----------|
| Maximum discharge current | 2.0 A |
| Maximum pulse current (20ms) | 2.3 A |
| Maximum charge rate | 2.0 A |
| Discharge/Charge Temperature | 0 to 55C |

Dimensions of Battery

| Width | Length | Height |
|--------------------|---------------------|--------------------|
| 22.00 mm .87 in | 67.00 mm 2.64 in | 20.00 mm .79 in |

Cell Specifications

| | |
|-----------------------|---------------------------------|
| Voltage | 7.2V |
| Cells | 4 Lithium-ion 34506 |
| Chemistry | Lithium-ion |
| Rated Capacity | 1800 mAh based on .1C discharge |

