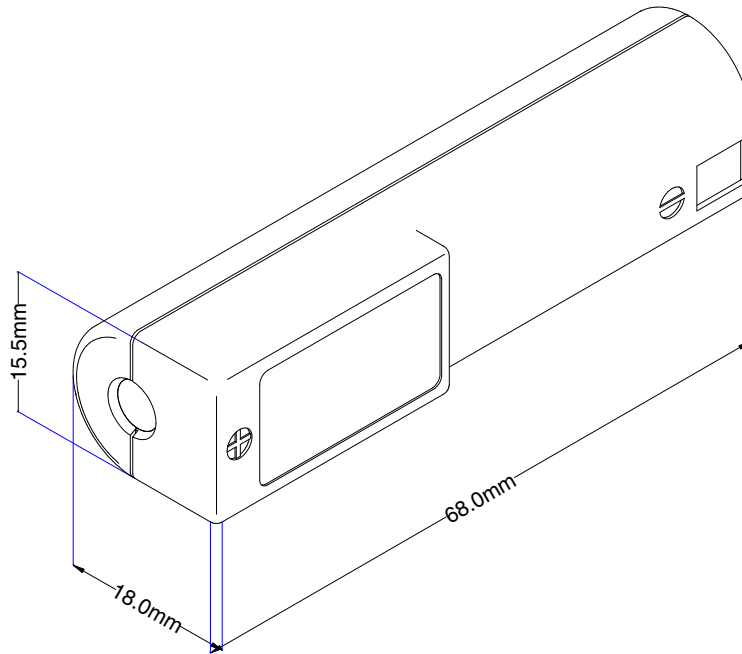


U80030

Totex Manufacturing

U80030



Description

U80030 series battery can be used in many small portable applications including camcorder, PDT's, and test equipment. Each battery is designed and manufactured in the United States using the highest quality PCB, cells and plastics.

Features

- High quality Japanese cells
- Durable plastics

Data

Maximum discharge current	940 mAh
Maximum pulse current (20ms)	1.5 A
Maximum charge rate	940 mAh
Discharge/Charge Temperature	0 to 55C

Dimensions of Battery

Width	Length	Height
15.50 mm .61 in	68.00 mm 2.68 in	18.00 mm .71 in

Cell Specifications

Voltage	3.6 V
Cells	1 Lithium-ion 14650
Chemistry	Lithium-ion
Rated Capacity	940 mAh based on .1C discharge

