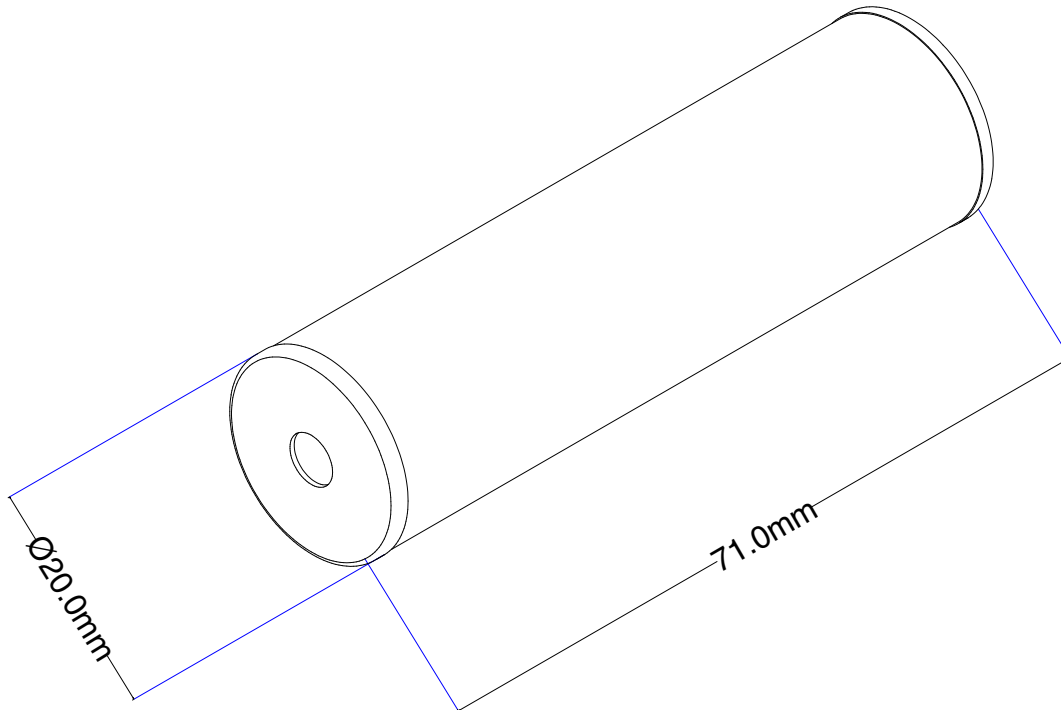


U80029

Totex Manufacturing



U80029

Description

U80029 series battery can be used in many small portable applications including camcorder, PDT's, and test equipment. Each battery is designed and manufactured in the United States using the highest quality PCB, cells and plastics.

Features

- High quality Japanese cells
- Durable plastics
- Simple design in connector

Data

- Maximum discharge current 2.0 A
- Maximum pulse current (20ms) 2.3 A
- Maximum charge rate 2.0 A
- Discharge/Charge Temperature 0 to 55C

Dimensions of Battery

Diameter	Length
20.00 mm .79 in	71.00 mm 2.80 in

Cell Specifications

Voltage	3.6V
Cells	1Lithium-ion 18650
Chemistry	Lithium-ion
Rated Capacity	2000 mAh based on .1C discharge

