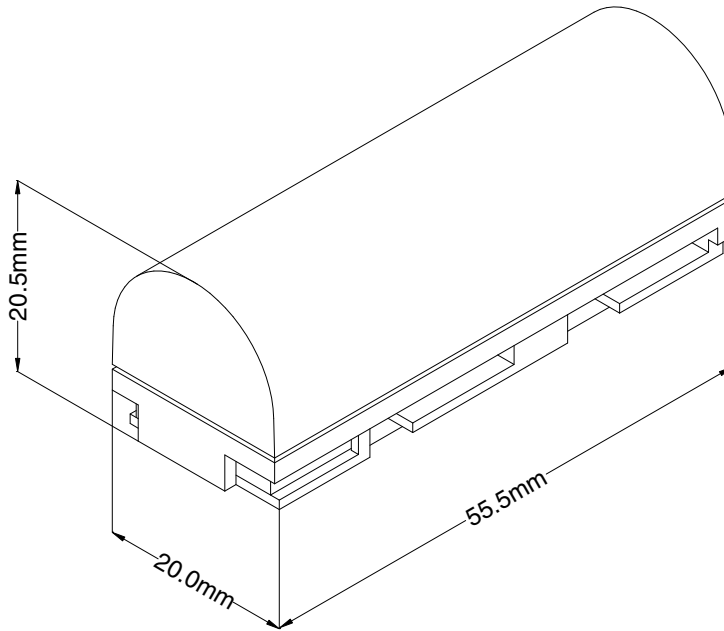


U80028

Totex Manufacturing

U80028



Description

U80028 series battery can be used in many small portable applications including camcorder, PDT's, and test equipment. Each battery is designed and manufactured in the United States using the highest quality PCB, cells and plastics.

Features

- High quality Japanese cells
- Durable plastics

Data

- Maximum discharge current 2.0 A
- Maximum pulse current (20ms) 2.3 A
- Maximum charge rate 2.0 A
- Discharge/Charge Temperature 0 to 55C

Dimensions of Battery

Width	Length	Height
20.00 mm .79 in	55.50 mm 2.19 in	20.50 mm .81 in

Cell Specifications

Voltage	3.6V
Cells	1 Lithium-ion 18500
Chemistry	Lithium-ion
Rated Capacity	1300 mAh based on .1C discharge

