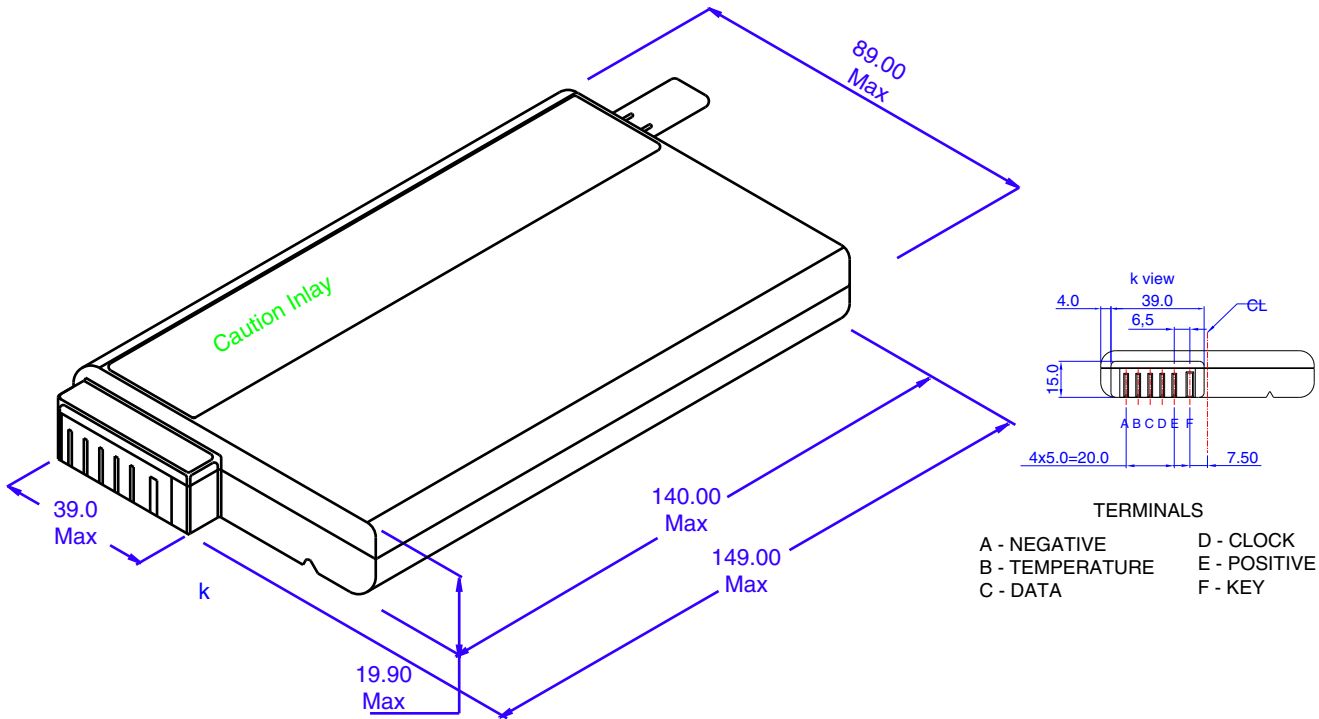


U80025

DR36 Replacement

Totex Manufacturing

U80025



Description

U80025 series battery can be used in notebook computers and OEM applications. Each battery is designed and manufactured in the United States using the highest quality PCB, cells and plastics.

Features

- SM Bus v1.0 or later
- High quality Japanese cells
- Durable plastics

Data

Maximum discharge current	8.0 A
Maximum pulse current (20ms)	12.0 A
Maximum charge rate	2.0 A
Discharge/Charge Temperature	0 to 45C

Dimensions of Battery

Width	Length	Height
89.00 mm	149.00 mm	19.90 mm
3.50 in	5.87 in	.78 in

Cell Specifications

Voltage	12.0V
Cells	10 4/3A Nimh
Chemistry	Nickel Metal Hydride
Rated Capacity	4000 mAh based on .2C discharge

