



**TRI-MAG, Inc.**

® *your* POWER Specialists

1601 N. CLANCY CT. • VISALIA, CA 93291  
(559) 651-2222 • FAX (559) 651-0188  
<http://www.tri-mag.com>  
<http://eemonline.com/tri-mag>  
[tri-mag@worldnet.att.net](mailto:tri-mag@worldnet.att.net)

## TDS2 SERIES

### 2 Watt

DC-DC CONVERTER

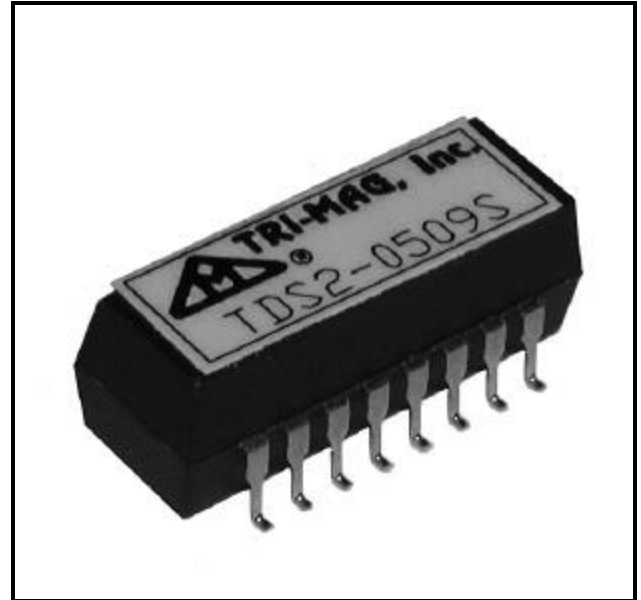
10 Pin SMD Molded

#### FEATURES

- PCB Mountable
- High Stable Regulated Output
- Thermally Conductive Encapsulate
- 100% Burn-In And Triple Tested
- MTBF > 400,000 Hours

#### APPLICATIONS

- Local Area Network
- Isolation Devices
- Telecommunications
- Industrial And Testing Equipment
- Battery-Powered Equipment
- Medical Equipment
- Distributed Power Equipment



#### ELECTRICAL SPECIFICATIONS

Input Voltage Range	±5%
Output voltage Accuracy	±5%
Load Regulation	±10%
Line Regulation	±5%
Ripple & Noise	50mV p-p for 5V, 1% for other voltages
Short Circuit Protection	Short Term (10 sec. max.)

#### GENERAL SPECIFICATIONS

Efficiency (at full load)	70% typical
Isolation Voltage	500VDC
Operating Frequency	25KHz min.
Operating Temperature	-25°C to +70°C
Storage Temperature	-40°C to +100°C
Isolation Resistance	10 <sup>9</sup> Ohms, min.
weight	0.5 Oz. (14.2 grams)
Case Material	Non-conductive Plastic

All specifications and prices subject to change without notice



**TRI-MAG, Inc.**

® *your* POWER Specialists

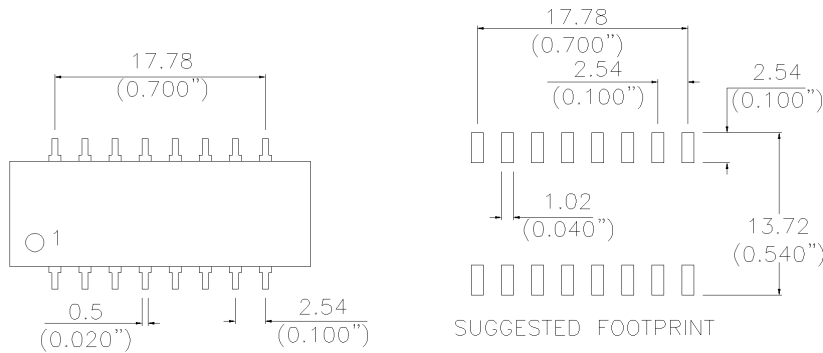
1601 N. CLANCY CT. • VISALIA, CA 93291  
 (559) 651-2222 • FAX (559) 651-0188  
<http://www.tri-mag.com>  
<http://eemonline.com/tri-mag>  
 tri-mag@worldnet.att.net

**TDS2 SERIES SPECIFICATIONS**

Model-Type	Input Voltage (Vdc)	Input Current mA (typ)		Output Voltage (Vdc)	Output Current mA (max)
		No Load	Full Load		
TDS2-0505S	5	30	515	5	360
TDS2-0512S	5	30	480	12	150
TDS2-0515S	5	30	480	15	120
TDS2-1205S	12	20	214	5	360
TDS2-1212S	12	20	200	12	150
TDS2-1215S	12	20	200	15	120

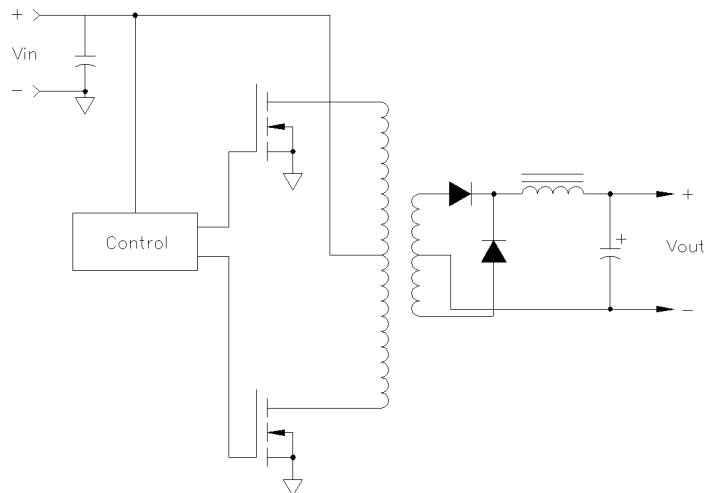
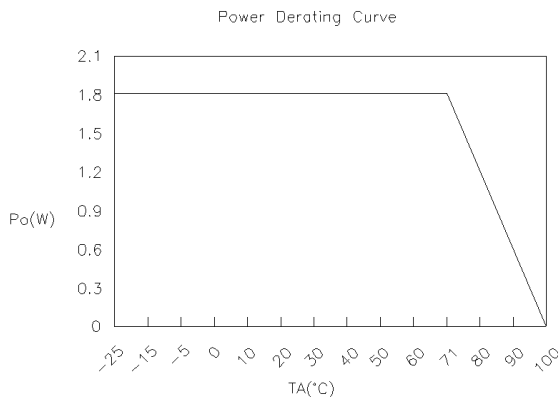
S: Single Output

Specifications subject to change without notice.



**Pin Connections**

Pin	Single
1	- Input
3	+ Input
7	+ Output
8	- Output



All specifications and prices subject to change without notice