



TRI-MAG, Inc.

® *your* POWER Specialists

1601 N. CLANCY CT. • VISALIA, CA 93291
(559) 651-2222 • FAX (559) 651-0188
<http://www.tri-mag.com>
<http://eemonline.com/tri-mag>
tri-mag@worldnet.att.net

TDH4 SERIES

3 Watt, 2000 VDC Isolation

DC-DC CONVERTER

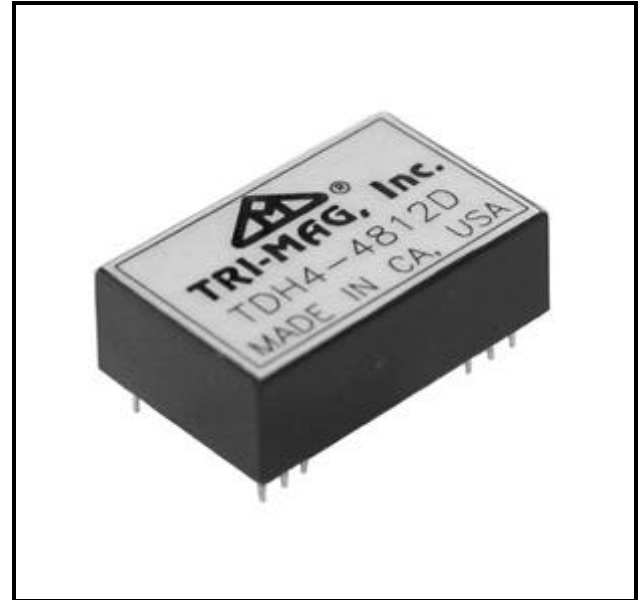
24 Pin DIP

FEATURES

- PCB Mountable
- High Stable Regulated Output
- Thermally Conductive Encapsulant
- 100% Burn-In And Triple Tested
- MTBF > 400,000 Hours

APPLICATIONS

- Local Area Network
- Isolation Devices
- Telecommunications
- Industrial And Testing Equipment
- Battery-Powered Equipment
- Medical Equipment
- Distributed Power Equipment



ELECTRICAL SPECIFICATIONS

Input Voltage Range	See Table
Output voltage Accuracy	±5%
Load Regulation	±1% (Single Output), ±2.5% (Dual Output)
Line Regulation	±1%
Ripple & Noise	50mV p-p for 5V, 1% for other voltages
Short Circuit Protection	Short Term (10 sec. max.)

GENERAL SPECIFICATIONS

Efficiency (at full load)	70% typical
Isolation Voltage	2000VDC
Operating Frequency	25KHz min.
Operating Temperature	-20°C to +70°C
Storage Temperature	-40°C to +100°C
Isolation Resistance	10 ⁹ Ohms, min.
weight	0.5 Oz. (14.2 grams)
Case Material	Non-conductive Plastic



TRI-MAG, Inc.

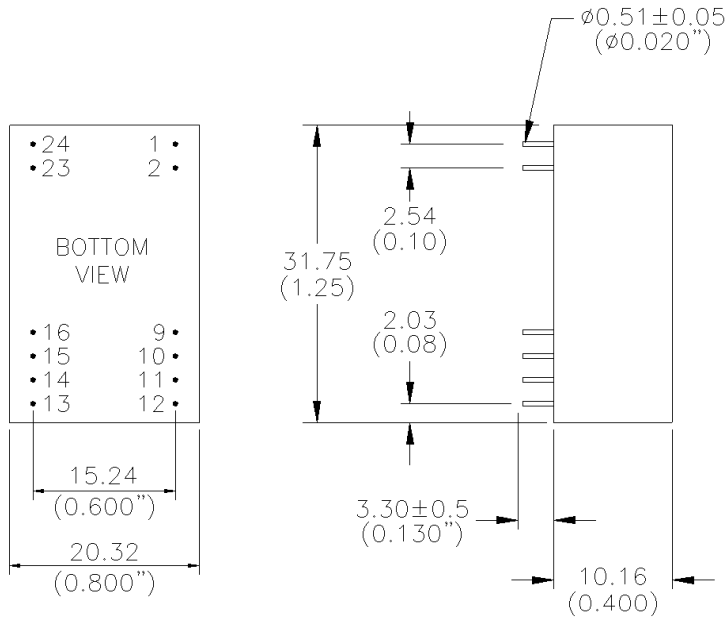
® *your* POWER Specialists

1601 N. CLANCY CT. • VISALIA, CA 93291
 (559) 651-2222 • FAX (559) 651-0188
<http://www.tri-mag.com>
<http://eemonline.com/tri-mag>
 tri-mag@worldnet.att.net

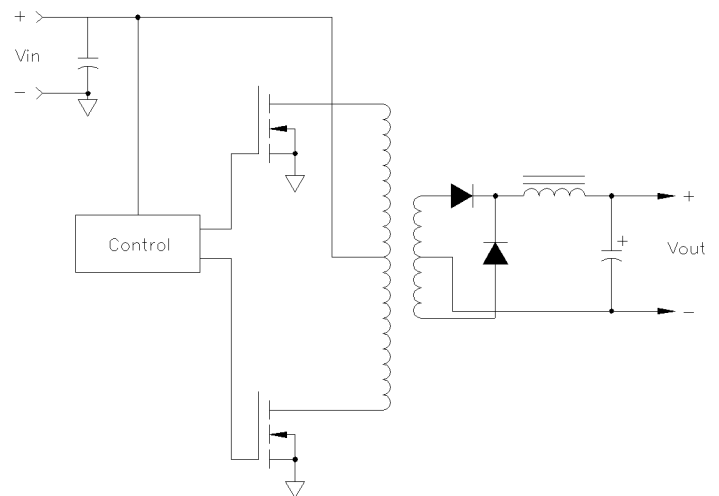
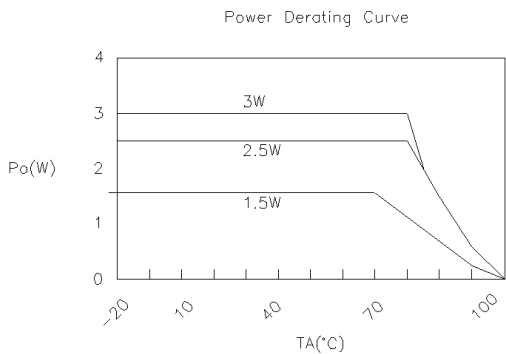
TDH4 SERIES SPECIFICATIONS

Model-Type	Input Voltage (Vdc)	Input Current mA (typ)		Output Voltage (Vdc)	Output Current mA (max)
		No Load	Full Load		
TDH4-0505S	4.5-5.5 (5)	90	1000	5	500
TDH4-0512S		70	1100	12	250
TDH4-5015S		50	1000	15	200
TDH4-1205S	10.8-13.2 (12)	30	350	5	500
TDH4-1212S		30	405	12	250
TDH4-1215S		30	405	15	200
TDH4-2405S	21.6-26.4 (24)	25	180	5	500
TDH4-2412S		25	200	12	250
TDH4-2415S		25	200	15	200
TDH4-4805S	43.2-52.7 (48)	20	80	5	500
TDH4-4812S		20	90	12	250
TDH4-4815S		20	90	15	200

S: Single Output D: Dual Output



Pin Connections	
Pin	Single
1&2	+ Input
23&24	- Input
11&12	+ Output
9&10	- Output



All specifications and prices subject to change without notice