



TRI-MAG, Inc.

® *your* POWER Specialists

1601 N. CLANCY CT. • VISALIA, CA 93291
(559) 651-2222 • FAX (559) 651-0188
<http://www.tri-mag.com>
<http://eemonline.com/tri-mag>
tri-mag@worldnet.att.net

TDC15 SERIES

15 Watt

DC-DC CONVERTER

2:1 Wide Range Input

FEATURES

- PCB Mountable
- High Stable Regulated Output
- Thermally Conductive Encapsulant
- 100% Burn-In And Triple Tested
- MTBF > 400,000 Hours

APPLICATIONS

- Local Area Network
- Isolation Devices
- Telecommunications
- Industrial And Testing Equipment
- Battery-Powered Equipment
- Medical Equipment
- Distributed Power Equipment



ELECTRICAL SPECIFICATIONS

Input Voltage Range	2:1
Output voltage Accuracy	±2%
Load Regulation	±1% (Single Output), ±2.5% (Dual Output)
Line Regulation	±1%
Ripple & Noise	100mV p-p for 5V, 1% for other voltages
Short Circuit Protection	Fold back
Overload Protection	Build-in

GENERAL SPECIFICATIONS

Efficiency (at full load)	75% typical
Isolation Voltage	500VDC
Operating Frequency	100KHz min.
Operating Temperature	0°C to 70°C Based Temperature
Storage Temperature	-40°C to +100°C
Isolation Resistance	10 ⁹ Ohms, min.
weight	1.5 Oz. (42 grams)
Case Material	Black coated with non-conductive metal base

All specifications and prices subject to change without notice



TRI-MAG, Inc.

® *your* POWER Specialists

1601 N. CLANCY CT. • VISALIA, CA 93291

(559) 651-2222 • FAX (559) 651-0188

<http://www.tri-mag.com>

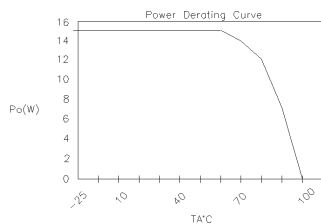
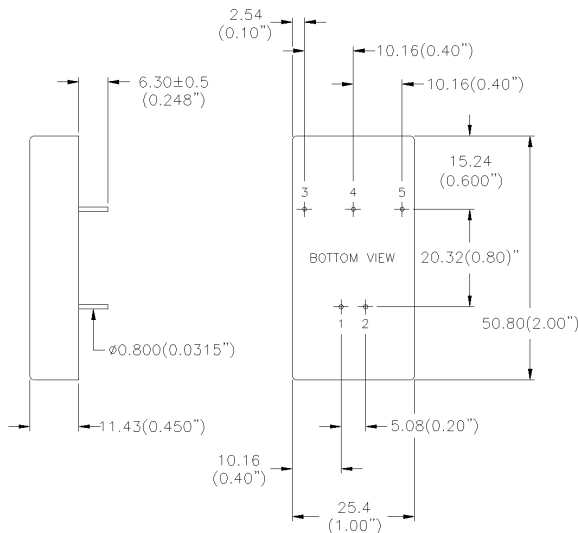
<http://eemonline.com/tri-mag>

tri-mag@worldnet.att.net

TDC15 SERIES SPECIFICATIONS

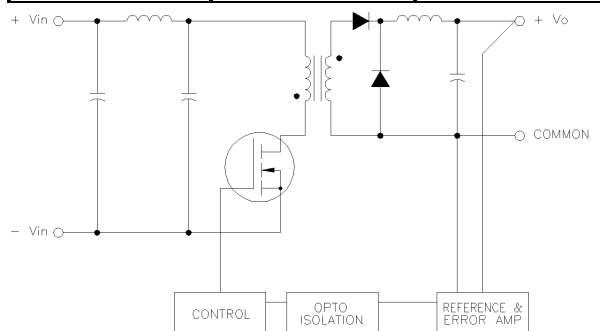
Model-Type	Input Voltage (Vdc)	Input Current mA (typ)		Output Voltage (Vdc)	Output Current mA (max)
		No Load	Full Load		
TDC15-1205S	9-18 (12)	50	1600	5	3000
TDC15-1212S		50	1560	12	1250
TDC15-1215S		50	1560	15	1000
TDC15-1205D		50	1600	±5	±1500
TDC15-1212D		50	1560	±12	±625
TDC15-1215D		50	1560	±15	±500
TDC15-2405S	18-36 (24)	30	790	5	3000
TDC15-2412S		30	780	12	1250
TDC15-2415S		30	780	15	1000
TDC15-2405D		30	790	±5	±1500
TDC15-2412D		30	780	±12	±625
TDC15-2415D		30	780	±15	±500
TDC15-4805S	36-72 (48)	20	395	5	3000
TDC15-4812S		20	390	12	1250
TDC15-4815S		20	390	15	1000
TDC15-4805D		20	395	±5	±1500
TDC15-4812D		20	390	±12	±625
TDC15-4815D		20	390	±15	±500

S: Single Output D: Dual Output



Pin Connections

Pin	Single	Dual
1	+ Input	+ Input
2	- Input	- Input
3	+ Output	+ Output
4	No Pin	Common
5	- Output	- Output



All specifications and prices subject to change without notice