



MEAN WELL

SWITCHING POWER SUPPLY

ISO-9001 CERTIFIED MANUFACTURER

S-150 SERIES

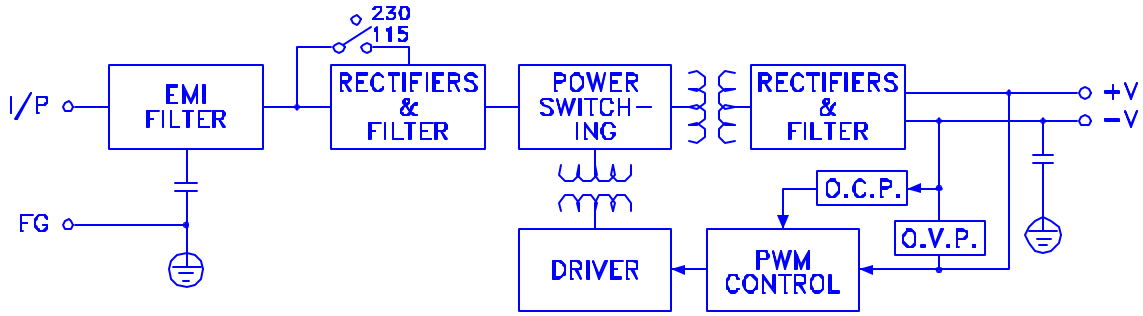
- . LOW COST, HIGH RELIABILITY
- . 105°C OUTPUT CAPACITOR
- . INTERNATIONAL AC INPUT RANGE
- . HIGH EFFICIENCY, LOW WORKING TEMPERATURE
- . SOFT-START CIRCUIT, LIMITING AC SURGE CURRENT
- . SHORT CIRCUIT, OVERLOAD, OVER VOLTAGE PROTECTED
- . COMPACT SIZE, LIGHT WEIGHT
- . 100% FULL LOAD BURN-IN TEST
- . BUILT IN EMI FILTER, LOW RIPPLE NOISE



MODEL	S-150-5	S-150-7.5	S-150-9	S-150-12	S-150-13.5	S-150-15	S-150-24	S-150-27	S-150-48
DC OUTPUT VOLTAGE	5V	7.5V	9V	12V	13.5V	15V	24V	27V	48V
OUTPUT V. TOLERANCE	±2%	±1%	±1%	±1%	±1%	±1%	±1%	±1%	±1%
OUTPUT RATED CURRENT	30A	20A	16.7A	12.5A	11.2A	10A	6.5A	5.6A	3.2A
OUTPUT CURRENT RANGE	0-30A	0-20A	0-16.7A	0-12.5A	0-11.2A	0-10A	0-6.5A	0-5.6A	0-3.2A
RIPPLE & NOISE (p-p)	150mV	150mV	180mV	180mV	180mV	180mV	240mV	240mV	240mV
LINE REGULATION	±0.5%	±0.5%	±0.3%	±0.3%	±0.3%	±0.3%	±0.2%	±0.2%	±0.2%
LOAD REGULATION	±0.5%	±0.5%	±0.3%	±0.3%	±0.3%	±0.3%	±0.2%	±0.2%	±0.2%
DC OUTPUT POWER	150W	150W	150.3W	150W	151.2W	150W	156W	151.2W	153.6W
EFFICIENCY	78%	80%	80%	82%	83%	84%	85%	86%	87%
DC VOLTAGE ADJ.	4.5-5.5V	6-8.3V	8-10.4V	10.6-13.2V	12-15V	13.5-16.5V	21-28V	24-30V	43-53V
INPUT VOLTAGE RANGE	88~132VAC / 176~264VAC SELECTED BY SWITCH 47~63Hz; 248~370VDC								
AC CURRENT	3.2A/115V 1.6A/230V								
INRUSH CURRENT	COLD START 35A								
LEAKAGE CURRENT	<3.5mA/240VAC								
OVERLOAD PROTECTION	105%~150% TYPE:OUTPUT SHUTDOWN RESET:RECYCLE AC ON / OFF								
OVER VOLTAGE PROTECTION	115%~135%						125%~145%	115%~135%	
OVER TEMP. PROTECTION	-----								
TEMP. COEFFICIENT	±0.03% / °C (0~50°C)								
SETUP, RISE, HOLD UP TIME	100ms, 50ms, 20ms								
VIBRATION	10~500Hz, 2G 10min./1cycle, PERIOD FOR 60min. EACH AXES								
WITHSTAND VOLTAGE	I/P-O/P:3KVAC I/P-FG:1.5KVAC O/P-FG:0.5KVAC								
ISOLATION RESISTANCE	I/P-O/P, I/P-FG, O/P-FG:500VDC / 100M Ohms								
WORKING TEMP., HUMIDITY	-10°C~+60°C(REFER TO OUTPUT DERATING CURVE), 20%~90% RH								
STORAGE TEMP., HUMIDITY	-20°C~+85°C, 10%-95% RH								
DIMENSION	199*110*50mm CASE:906								
WEIGHT	0.8Kgs								
SAFETY STANDARDS	UL1950, TUV EN60950 APPROVED								
EMC STANDARDS	CISPR22 (EN55022), IEC1000-4-2,3,4,5 IEC1000-3-2 VERIFICATION								

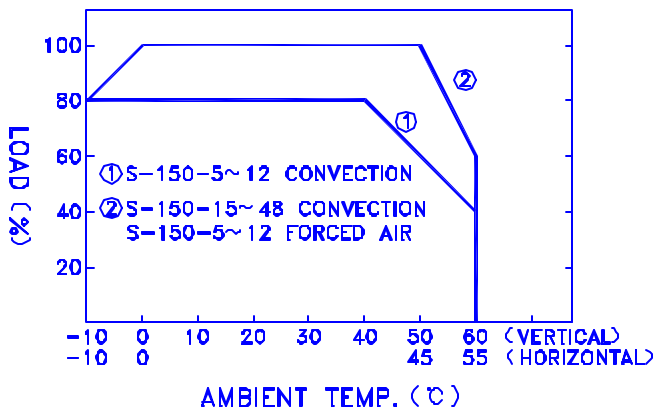
NOTE G 1.ALL PARAMETERS ARE SPECIFIED AT 230VAC INPUT, RATED LOAD, 25°C 70% RH. AMBIENT.
 2.TOLERANCE INCLUDE SET UP TOLERANCE, LINE REGULATION, LOAD REGULATION.
 3.RIPPLE & NOISE ARE MEASURED AT 20MHZ BY USING A 12" TWISTED PAIR TERMINATED WITH A 0.1uF & 47uF CAPACITOR.
 4.LINE REGULATION IS MEASURED FROM LOW LINE TO HIGH LINE AT RATED LOAD.
 5.LOAD REGULATION IS MEASURED FROM 0% TO 100% RATED LOAD.
 6.C2,3,11 MUST BE REMOVED.

BLOCK DIAGRAM

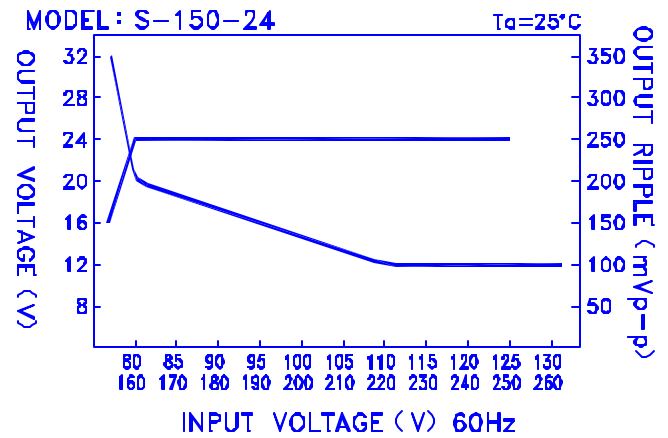


fosc : 25KHz

OUTPUT DERATING



STATIC CHARACTERISTICS



DIMENSION (mm)

- ☒ CASE : 906
- ☒ TERMINAL PIN NO. ASSIGNMENT
 - ☒ PIN 1,2 : AC INPUT
 - ☒ PIN 3 : FG \oplus
 - ☒ PIN 4,5 : DC OUTPUT -V
 - ☒ PIN 6,7 : DC OUTPUT +V

