



MEAN WELL

SWITCHING POWER SUPPLY
ISO-9001 CERTIFIED MANUFACTURER

S-350 SERIES

- .LOW COST, HIGH RELIABILITY
- .COOLING FAN ON/OFF AUTOMATICALLY
- .INTERNATIONAL AC INPUT RANGE
- .HIGH EFFICIENCY, LOW WORKING TEMPERATURE
- .SOFT-START CIRCUIT, LIMITING AC SURGE CURRENT
- .SHORT CIRCUIT, OVERLOAD, OVER VOLTAGE, OVER TEMP PROTECTED
- .COMPACT SIZE, LIGHT WEIGHT
- .100% FULL LOAD BURN-IN TEST
- .BUILT IN EMI FILTER, LOW RIPPLE NOISE
- .105°C OUTPUT CAPACITOR

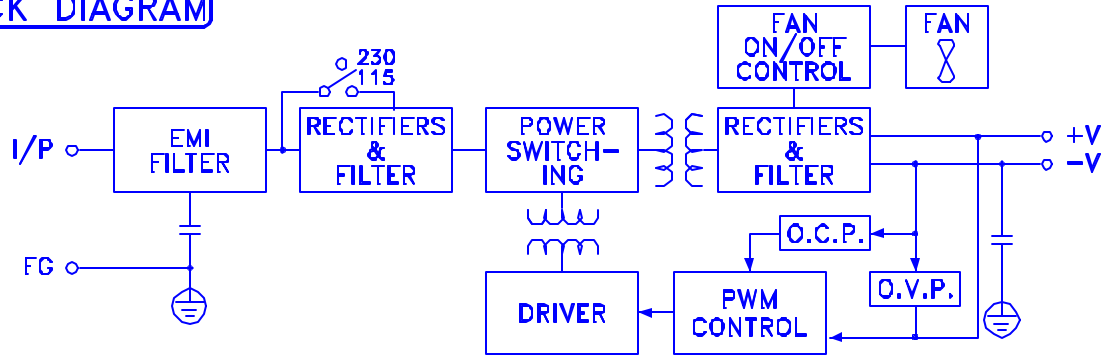


MODEL	S-350-5	S-350-7.5	S-350-12	S-350-13.5	S-350-15	S-350-24	S-350-27	S-350-48
DC OUTPUT VOLTAGE	5V	7.5V	12V	13.5V	15V	24V	27V	48V
OUTPUT V. TOLERANCE	±2%	±2%	±1%	±1%	±1%	±1%	±1%	±1%
OUTPUT RATED CURRENT	50A	40A	29A	25.8A	23.2A	14.6A	13A	7.3A
OUTPUT CURRENT RANGE	0-50A	0-40A	0-29A	0-25.8A	0-23.2A	0-14.6A	0-13A	0-7.3A
RIPPLE & NOISE	150mVp-p	150mVp-p	150mVp-p	150mVp-p	150mVp-p	150mVp-p	200mVp-p	240mVp-p
LINE REGULATION	±0.5%	±0.5%	±0.5%	±0.5%	±0.5%	±0.5%	±0.5%	±0.5%
LOAD REGULATION	±1%	±1%	±0.5%	±0.5%	±0.5%	±0.5%	±0.5%	±0.5%
DC OUTPUT POWER	250W	300W	348W	348.3W	348W	350.4W	351W	350.4W
EFFICIENCY	73%	76%	74%	79%	78%	81%	82%	83%
DC VOLTAGE ADJ.	4.5-5.6V	6-9V	10-13.2V	12-15V	13.5-18V	20-26.4V	26-32V	41-56V
INPUT VOLTAGE RANGE	90~132VAC / 180~264VAC BY SWITCH 47~63Hz; 254~370VDC							
AC CURRENT	6.5A/115V 4A/230V							
INRUSH CURRENT	25A/115V 50A/230V							
LEAKAGE CURRENT	<3.5mA/240VAC							
OVERLOAD PROTECTION	105~135% TYPE:PULSING HICCUP SHUTDOWN RESET:AUTO RECOVERY							
OVER VOLTAGE PROTECTION	5.75-6.75V	9.4-10.9V	13.8-16.2V	15.5-18.2V	18-21V	27.6-32.4V	33.7-39.2V	57.6-67.2V
FAN CONTROL, O.T.P.	RTH3>=65°C FAN ON, <=55°C FAN OFF, >=80°C OUTPUT SHUTDOWN (5~15V) RTH3>=70°C FAN ON, <=60°C FAN OFF, >=85°C OUTPUT SHUTDOWN (24~48V)							
TEMP. COEFFICIENT	±0.03% / °C (0~50°C)							
SETUP, RISE, HOLD UP TIME	200ms, 50ms, 20ms							
VIBRATION	10~500Hz, 2G 10min./1cycle, PERIOD FOR 60min. EACH AXES							
WITHSTAND VOLTAGE	I/P-O/P:1.5KVAC I/P-FG:1.5KVAC O/P-FG:0.5KVAC							
ISOLATION RESISTANCE	I/P-O/P, I/P-FG, O/P-FG:500VDC / 100M Ohms							
WORKING TEMP., HUMIDITY	-10°C~+50°C(REFER TO OUTPUT DERATING CURVE), 20%~90% RH							
STORAGE TEMP., HUMIDITY	-20°C~+85°C, 10%~95% RH							
DIMENSION	215*115*50mm CASE:912							
WEIGHT	1.15Kgs							
SAFETY STANDARDS	DESIGN REFER TO UL1950							
EMC STANDARDS	DESIGN REFER TO FCC PART15 CLASS A							

- NOTE :
- 1.ALL PARAMETERS ARE SPECIFIED AT 230VAC INPUT, RATED LOAD, 25°C 70% RH. AMBIENT.
 - 2.TOLERANCE GINCLUDE SET UP TOLERANCE, LINE REGULATION, LOAD REGULATION.
 - 3.RIPPLE & NOISE ARE MEASURED AT 20MHZ BY USING A 12" TWISTED PAIR TERMINATED WITH A 0.1uF & 47uF CAPACITOR.
 - 4.LINE REGULATION IS MEASURED FROM LOW LINE TO HIGH LINE AT RATED LOAD.
 - 5.LOAD REGULATION IS MEASURED FROM 0% TO 100% RATED LOAD.
 - 6.C3,4 MUST BE REMOVED.

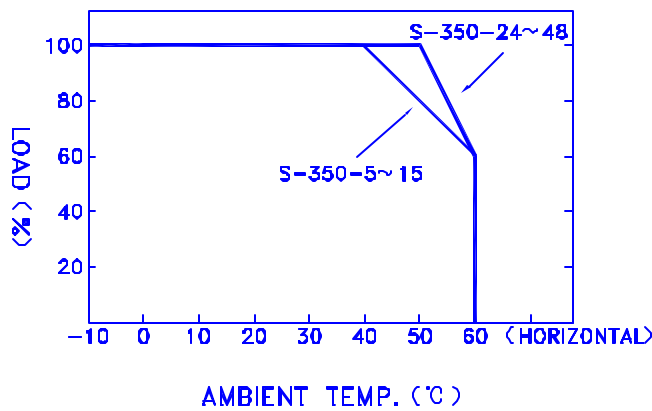
S-350 SERIES

BLOCK DIAGRAM

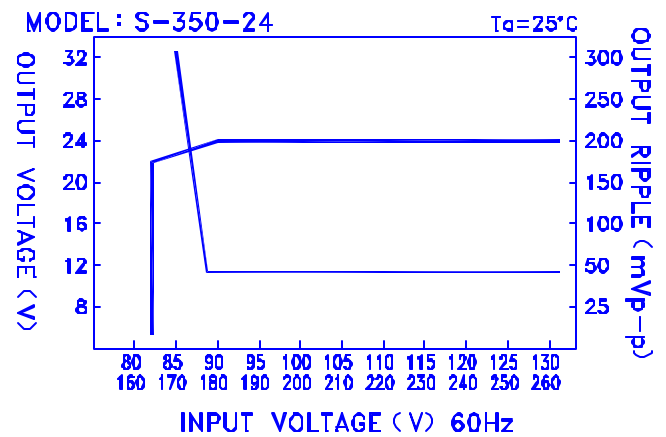


fosc : 25KHz

OUTPUT DERATING



STATIC CHARACTERISTICS



DIMENSION (mm)

- ☒ CASE : 912
- ☒ TERMINAL PIN NO. ASSIGNMENT
- ☒ PIN 1,2 : AC INPUT
- ☒ PIN 3 : FG \oplus
- ☒ PIN 4,5,6: DC OUTPUT -V
- ☒ PIN 7,8,9: DC OUTPUT +V

