

MEDICAL PRODUCTS GROUP

270/350 Watt

- A family of multiple output, 270/350 Watt, universal input switching power supplies
- Approved for use in medical applications
- Meets international and domestic safety agency approvals
- Active power factor correction
- High MTBF >100,000 hours

SPECIFICATIONS

ELECTRICAL

INPUT

Universal, 90 - 264Vac, 47-63 Hz, single phase

Inrush current 30 A Max @ 115Vac & cold start
 60 A Max @ 230Vac & cold start

OUTPUT

Ripple * 1 % p-p of output voltage
 measured differentially

Max start-up time 5 s

Holdover 16 ms minimum

Power good signal Trail time: 100 ~ 500 ms;
 Leading time: 1 ms min

*Ripple voltage measurement is done with an oscilloscope set at 20 MHz bandwidth and output terminated with 0.1uF ceramic capacitor and 47uF aluminum capacitor at full load and nominal line.

EFFICIENCY 70% typical

PROTECTION

Short circuit protection

Power shut down: When output 1, 2, 3, 4, 5 shorted to GND. To be reset by recycle of input power. No damage to this power supply when Output 6 shorted to GND.

Over voltage protection

Output voltage will be clamped at 5.8 ~ 6.5 V. Power supply will be shut down when OVP occurs. Recycle input power to reset OVP.

LEAKAGE CURRENT

300uA max @ Full load and 230Vac input

150uA max @ Full load and 115Vac input

ENVIRONMENTAL

Operating temperature 0 to + 40 ° C
(at full rated output power with natural convection cooling and in non-restricted environment)

Storage temperature -20 to 85 ° C

Operating humidity 10 to 90 %

Storage humidity 5 to 95 %

HI-POT TEST

Primary to FG 1500Vac / 1 minute @ 10mA max

EMI COMPLIANCE

FCC part 15J Class B

CISPR 22 (EN 55022) Class B

SAFETY APPROVALS

IEC 601-1

UL 2601 & cUL 2601

EN60601-1

CE Mark



MECHANICAL

AC socket IEC-320C14, 10A / 250Vac

AC switch 16A/250V

DC output - 400mm cable with Molex 39-01-2200 (housing) or EQ:

Output 1: Pin 1, 2

Output 2: Pin 4,6,19,20

Output 3: Pin 10

Output 4: Pin 18

Output 5: Pin 12

Output 6: Pin 9

GND: Pin 3, 5, 7, 13, 15, 16,17

Power Good: Pin: 8

Output 1 sense: Pin 11

Power ON/OFF: Pin 14

- 400mm and 155mm cable with Molex 8981-4P (housing) or EQ:

Pin 1: Output 3

Pin 2,3: GND

Pin 4: Output 2

- 400mm and 155mm cable with Molex 8981-4P (housing).

155mm cable with AMP 171822-4 (housing) or EQ:

- Molex 8981-4P

Pin 1: Output 3

Pin 2,3: GND

Pin 4: Output 2

- AMP 171822-4

Pin 1: Output 2

Pin 2,3: GND

Pin 4: Output 3

Dimensions

(L x W x H), mm

150 x 140 x 86

Weight typical, g

1910

OPERATING TECHNICAL ELECTRONICS, INC.

850 Greenview Dr., Grand Prairie, TX 75050

Phone: 972-988-6828 Fax: 972-641-7089

www.operatingtech.com E-mail: ote@operatingtech.com

MAY 03

MEDICAL PRODUCTS GROUP

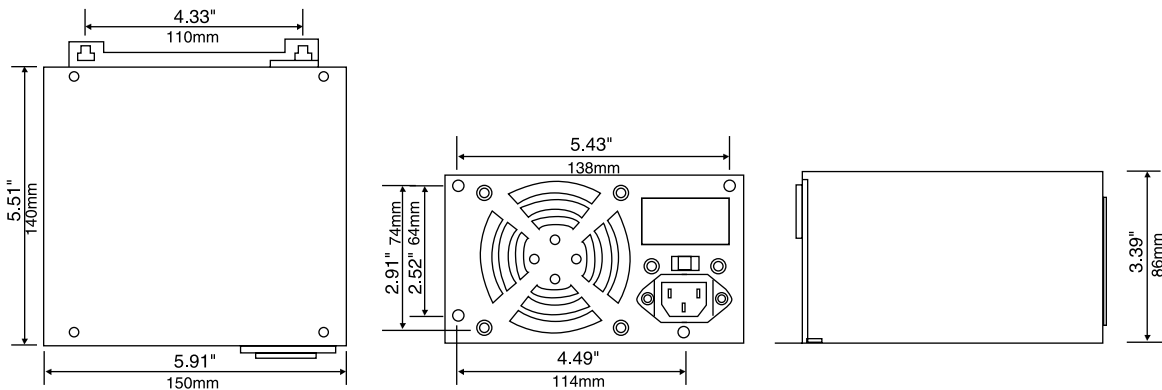
270/350 Watt continued

MODEL OTE-ATX-270/350

OUTPUT SPECIFICATIONS			270W (115Vac)	350W (230Vac)
DC Volt	Ripple & Noise	Total Reg.	Output Current (Min/Max)	Output Current (Min/Max)
+3.3V	50mV	4%	0.5A/23A	0.5/30A
+5V	50mV	5%	4A/23A	8A/30A
+12V	120mV	5%	3A/16A	4A/20A
-5V	50mV	10%	0A/1A	0A/1A
-12V	120mV	10%	0A/1A	0A/1A
+5Vsb	50mV	5%	0A/2.0A	0A/2.0A
3.3V & +5V			160W	200W
Total Output Power			270W	350W

Efficiency 70% typical full load
 Hold Up Time 17m Sec min @ 230AC full load
 Over Power Protection 105%-160% of max load
 Over Voltage Protection +5V: 5.6 - 6.9V
 +3.3V: 3.7 - 4.5V
 +5Vsb: 5.6 - 6.9V

Power Good Signal TTL logic high when DC outputs are within regulation
 Input: 115V Max. continuous total DC output power shall not exceed 270W Max. output combined on -5V & +3.3V shall not exceed 160W
 Input: 230V Max. continuous total DC output power shall not exceed 350W Max. output combined on -5V & +3.3V shall not exceed 200W



OPERATING TECHNICAL ELECTRONICS, INC.

850 Greenview Dr., Grand Prairie, TX 75050

Phone: 972-988-6828 Fax: 972-641-7089

www.operatingtech.com E-mail: ote@operatingtech.com

MAY 03