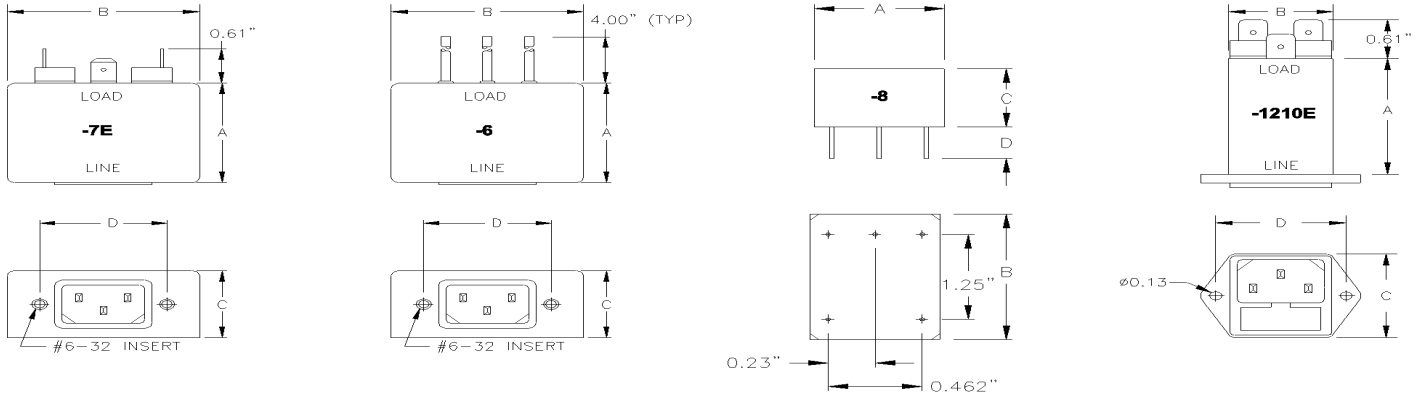


## GENERAL PURPOSE FILTERS, MPB SERIES



## FEATURES AND SPECIFICATIONS



### SPECIFICATIONS

#### 1.0 HIGHPOT RATING:

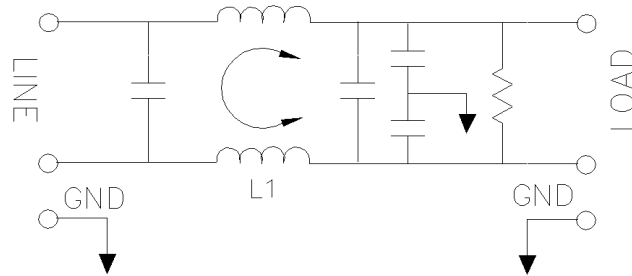
LINE-TO-GROUND: 2000 VAC  
 LINE-TO-LINE: 1750 VDC

#### 2.0 MAXIMUM LEAKAGE CURRENT, EACH LINE TO GROUND.

115 VAC, 60 Hz: 0.25 mA MAX  
 250 VAC, 60 Hz: 0.50 mA MAX

#### 3.0 PERFORMANCE

MHz.	0.10	0.20	0.05	0.15	0.50	1.00	5.00	10.00	30.00
C/M L/G	15 dB	25 dB	35 dB	55 dB	65 dB	65 dB	65 dB	65 dB	65 dB
D/M L/L	5 dB	16 dB	20 dB	45 dB	59 dB	65 dB	62 dB	40 dB	40 dB



#### 4.0 RATED VOLTAGES AND FREQUENCY: 115/250 VAC, 47-63 Hz

### APPLICATIONS

- \* TERMINALS
- \* TAPE BACK-UP SYSTEMS
- \* MODEMS
- \* HARD-DISK SYSTEMS
- \* SYSTEMS WITH SWITCHING POWER SUPPLIES

### FEATURES

- \* UNFUSED IEC CONNECTOR
- \* FUSED IEC CONNECTOR
- \* SPARE FUSE HOLDER
- \* SMALL SIZE-BIG PERFORMANCE
- \* PRINTED CIRCUIT BOARD MOUNT
- \* OTHER TERMINATIONS ARE AVAILABLE

### 5.0 DIMENSIONS (INCHES)

PART NUMBER	RATED CURRENT	A	B	C	D
		MPB2-6	2A	1.93	2.19
MPB2-7E	2A	1.93	2.19	1.25	1.57
MPB2-8	2A	1.50	1.50	0.70	0.25
MPB2-1210E	2A	2.00	1.14	1.30	1.42