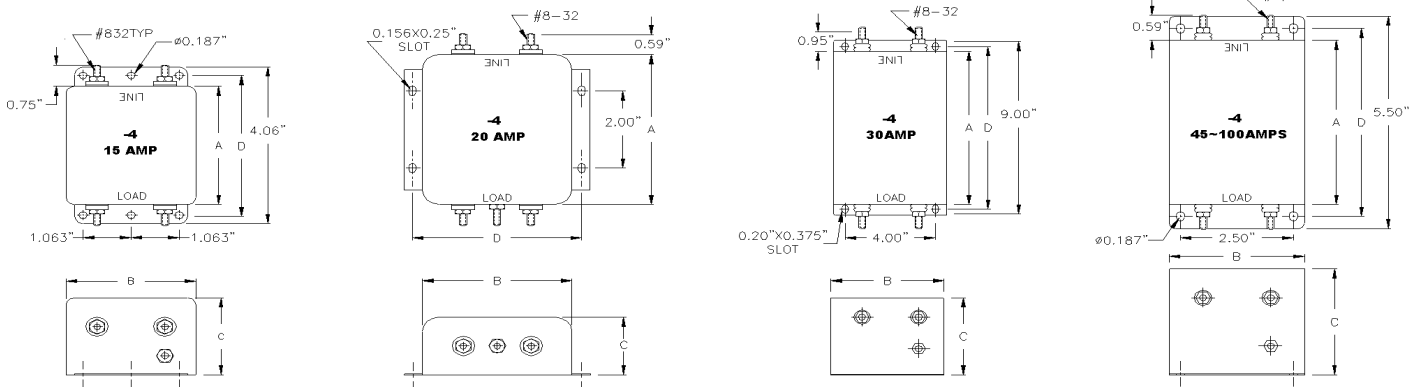


# K SERIES

# HIGH CURRENT

# 15-100 AMPS



## FEATURES AND SPECIFICATIONS



### SPECIFICATIONS

#### 1.0 HIGHPOT RATING:

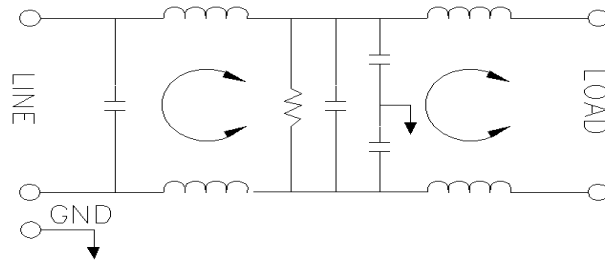
LINE-TO-GROUND: 2000 VAC  
 LINE-TO-LINE: 1750 VDC

#### 2.0 MAXIMUM LEAKAGE CURRENT, EACH LINE TO GROUND.

115 VAC, 60 Hz: 0.25 mA MAX  
 250 VAC, 60 Hz: 0.50 mA MAX

#### 3.0 PERFORMANCE

MHz.	0.15	0.20	0.50	1.00	10.0	20.0	30.0
C/M L/G	30 dB	60 dB	65 dB	65 dB	65 dB	65 dB	65 dB
D/M L/L	10 dB	50 dB	65 dB	65 dB	65 dB	65 dB	65 dB



4.0 RATED VOLTAGES AND FREQUENCY:  
 115/250 VAC, 47-63 Hz

### APPLICATIONS

- \* CE CERTIFICATION
- \* MACHINERY DIRECTIVE
- \* MEDICAL DIRECTIVE
- \* SYSTEMS WITH SWITCHING POWER SUPPLIES

### FEATURES

- \* SURGE PROTECTION
- \* CURRENT RATINGS 15 — 100 AMPS
- \* TVSS PROTECTION.
- \* SUPERIOR CM AND DM REJECTION
- \* OTHER TERMINATIONS ARE AVAILABLE

### 5.0 DIMENSIONS (INCHES)

PART NUMBER	RATED CURRENT	DIMENSIONS			
		A	B	C	D
K15-4	15A	3.06	2.88	2.00	3.62
K20-4	20A	3.88	3.31	1.50	3.75
K30-4	30A	4.25	3.00	2.75	4.87
K45-4	45A	8.00	5.00	4.00	8.50
K60-4	60A	8.00	5.00	4.00	8.50
K75-4	75A	8.00	5.00	4.00	8.50
K100-4	100A	8.00	5.00	4.00	8.50