

## Nickel Metal Hydride Batteries

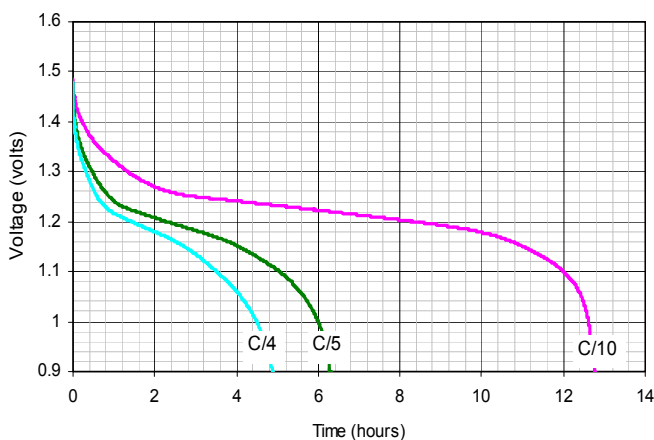
### OVERVIEW

- Higher energy density provides longer run time than NiCds
- Environmentally friendly
- No memory effect
- Good storage capabilities
- Trickle charge compatible

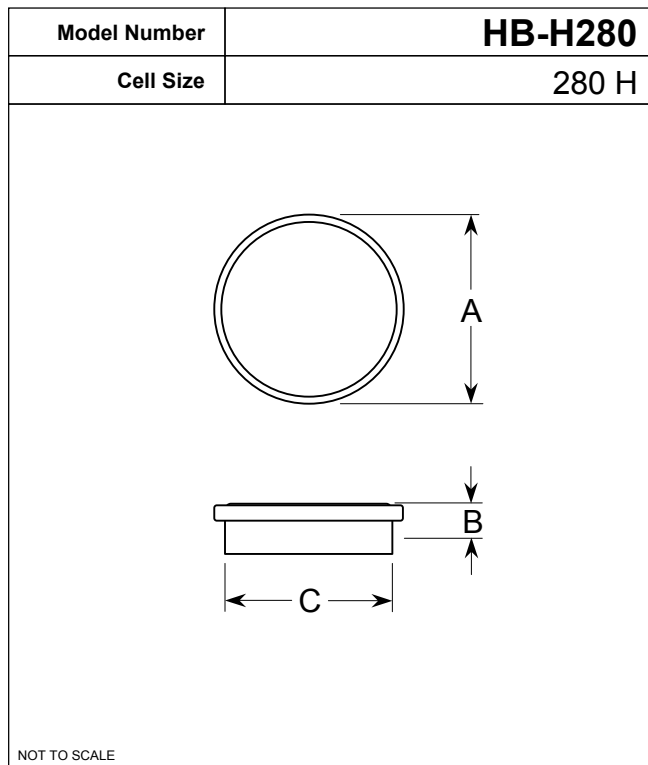
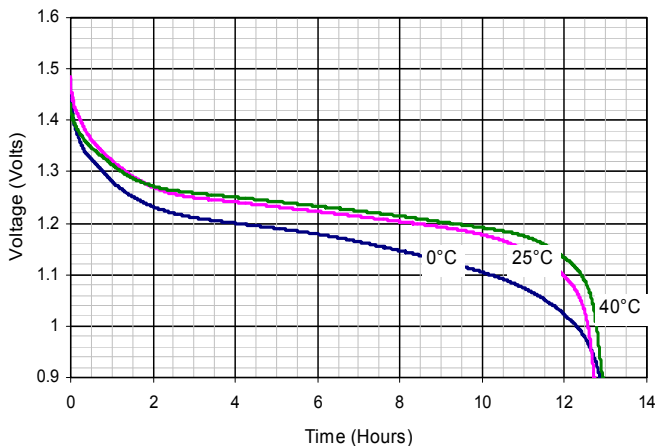
### APPLICATIONS

- Cordless phones
- Memory backup
- Remote controls
- Home and car alarms
- Toys/Radio controlled models
- Medical equipment

C/10-C/4 Discharge Profile @ 25°C



C/10 Discharge Profile @ 0°C, 25°C, & 40°C



### PHYSICAL CHARACTERISTICS (includes shrink sleeve)

Dimension	Measurement (mm)	Tolerance (mm)
A	25.1	+0/-0.2
B	8.7	+0/-0.4
C	22.6	+0/-0.2
Weight		2.0 g

### ELECTRICAL CHARACTERISTICS

Nominal Voltage		1.2 V
Capacity	Typical	320 mAh
	Minimum @ C/5	310 mAh
Internal Resistance @ 1000 Hz		150.0 mΩ
Cycle Life (minimum)		500 cycles

### CHARGE SPECIFICATIONS

Standard Charge	C/10 for 16 hours
Fast Charge (with proper termination)	C/10

### DISCHARGE SPECIFICATIONS

Current	Continuous	C/4
	Spikes	C/2
Minimum Voltage/Voltage Cutoff		1.0 V

### TEMPERATURE

Charging	10°C to 40°C
Discharging	10°C to 40°C
Storage	-20°C to 30°C