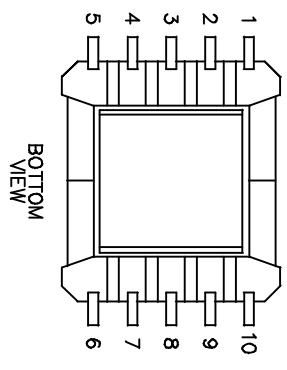
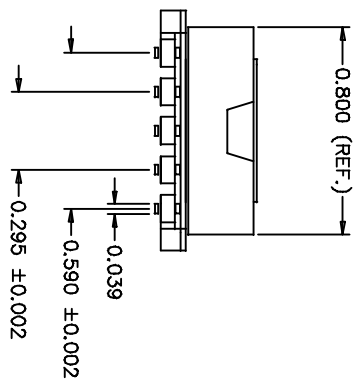
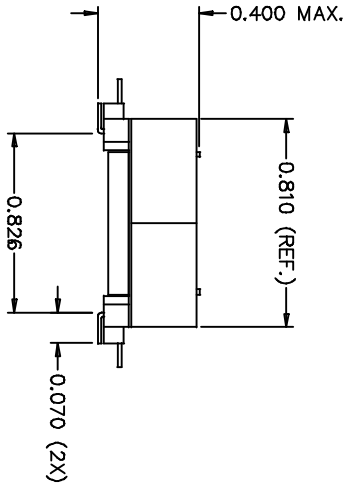
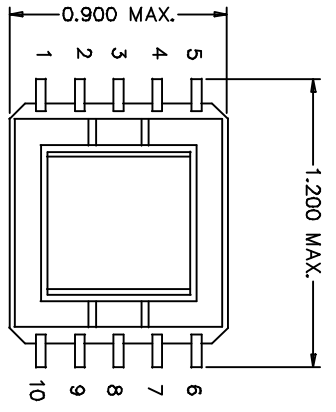
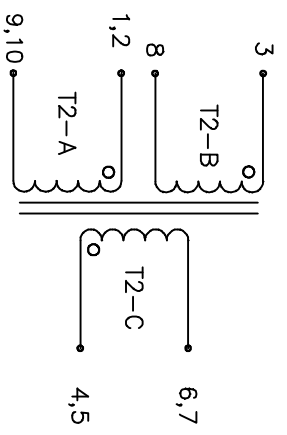


DRAWING NUMBER
CP-5833

REV.
A

S C H E M A T I C



REF.: FOREM USA

CUSTOMER P/N AND REV. T2 -

TITLE TRANSFORMER

STANDEX ELECTRONICS

Standex company

CINCINNATI OHIO

DATE	DRAWING NUMBER	REV.
05-28-02	CP-5833	A

REVISIONS

"A" Moved T2-B to primary side of schematic.
RW 06-12-02