

# CFM 100 Series (Preliminary)

## 100W Switching Power Supply with PFC



### FEATURES

- Universal Input : 90 ~ 264Vac
- Conductive EMI Meets CISPR/FCC Class B
- High Efficiency at 85% Typical
- Meet IEC1000-3-2 CLASS D (Harmonic Correction)

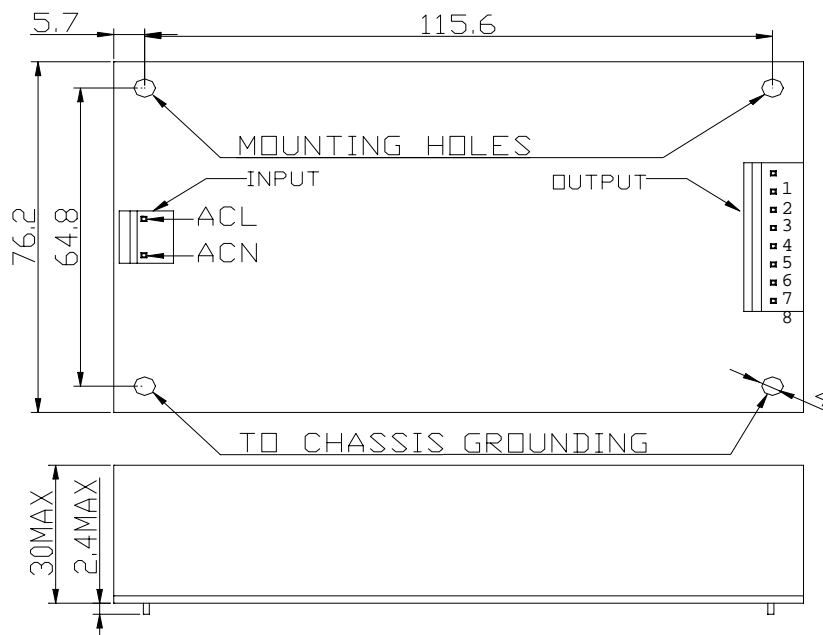
NOTE  
 1: Voltage accuracy is set at 60% full load.  
 2: Add a 0.1uF ceramic capacitor and a 10uF E.L. capacitor to output for Ripple & Noise measuring @20MHz BW.  
 3: Line regulation is measured from 100Vac to 240Vac with full load.  
 4: Load regulation is measured from 60% to 100% full load and from 60% to 20% full load(60% +/-40% full load)

### SPECIFICATIONS

■ Input Characteristics	
Voltage	90 ~ 264Vac
Frequency	47 to 63Hz
Inrush Current	100A Max. @ 264Vac
Conducted EMI	CISPR/FCC Class B
Isolation	Input to output = 4,242Vdc
Leakage Current	1.5mA max.
■ Output Characteristics	
Hold-up Time	20mS typ. @ 115Vac
Short Circuit Protection	Continuous
Over Voltage Protection	Auto Recovery
■ Environmental Characteristics	
Operating Temperature	0 ~ 40•
Storage Temperature	-20 ~ 85•
■ Mechanical Outline	
Dimensions	127 x 76.2 x 32.4 mm <sup>3</sup>
• Typical at 25•, nominal line and 75% load, unless otherwise specified.	

Model	Output Voltage	Output Current	Ripple & Noise	Voltage Accuracy	Line Regulation	Load Regulation
CFM100A050	5 V	20 A	1%	+/- 1%	+/- 0.5%	+/- 1%
CFM100A120	12 V	8.3 A	1%	+/- 1%	+/- 0.5%	+/- 1%
CFM100A150	15 V	6.67 A	1%	+/- 1%	+/- 0.5%	+/- 1%
CFM100A180	18 V	5.56 A	1%	+/- 1%	+/- 0.5%	+/- 1%
CFM100A190	19 V	5.21 A	1%	+/- 1%	+/- 0.5%	+/- 1%
CFM100A240	24 V	4.17 A	1%	+/- 1%	+/- 0.5%	+/- 1%
CFM100A480	48 V	2.08 A	1%	+/- 1%	+/- 0.5%	+/- 1%

### DRAWINGS



#### Notes:

1. Dimensions shown in mm as left.  
Tolerance : +/- 1mm
2. Connectors:  
AC input : Molex 5277 or equivalent  
DC output : Molex 5273 or equivalent
3. DC output pin 1,2,3,4 : Vout ( + )  
DC output pin 5,6,7,8 : Vout ( - )