

# ADPCA Series

## FEATURES

- LCD Display Appropriate
- Single Output
- Small Footprint
- SIP Package
- Industry Standard Pinout
- UL94-V0 Package
- No Heat sink Required
- Temperature Range: -20°C -+71°C
- No External Components Required

INPUT SPECIFICATIONS				
Part Number	Input Voltage (VDC)			Package Style
	Nominal	Range	Max	
ADP05C24A	5	5~12VDC	12VDC	SIP

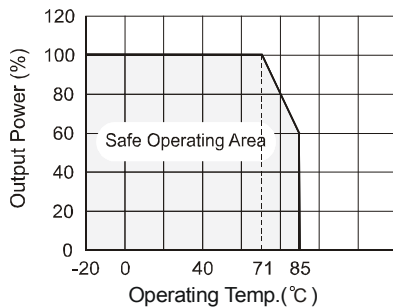
COMMON SPECIFICATIONS	
Temperature rise at full load	25°C Max., 15°C Typ.
Cooling	Free air convection
Operating temperature range	-20°C - +71°C
Storage temperature range	-40°C - +125°C
Lead temperature*	300°C (1.5mm from case for 10 seconds)
Storage humidity range	≤ 90%
Case material	Plastic (UL94-V0)
MTBF	>200,000 hours

\*Lead temperature 1.5mm from case for 10 seconds.

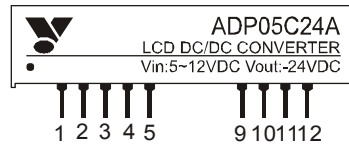
OUTPUT SPECIFICATIONS						
Item		Test conditions	Min	Typ	Max	Units
R <sub>ADJ</sub> =0Ω	Output Voltage	V <sub>in</sub> =5.0VDC, R <sub>L</sub> =2K, T <sub>A</sub> =25°C	-23.2	-24	-24.8	V
	Input Current	V <sub>in</sub> =5.0VDC, R <sub>L</sub> =2K, T <sub>A</sub> =25°C	90		100	mA
	Ripple and Noise	V <sub>in</sub> =5~12VDC, R <sub>L</sub> =2K, T <sub>A</sub> =25°C			400	mVp-p
R <sub>ADJ</sub> =0~20KΩ V <sub>out</sub> =-6~-24VDC	Output Voltage	V <sub>in</sub> =5.0VDC, R <sub>L</sub> =2K, T <sub>A</sub> =25°C	-6		-24	V
	Input Current	V <sub>in</sub> =5.0VDC, R <sub>L</sub> =2K, T <sub>A</sub> =25°C			100	mA
	Ripple and Noise	V <sub>in</sub> =5~12VDC, R <sub>L</sub> =2K, T <sub>A</sub> =25°C			400	mVp-p

## TYPICAL CHARACTERISTICS

Temperature Derating Graph

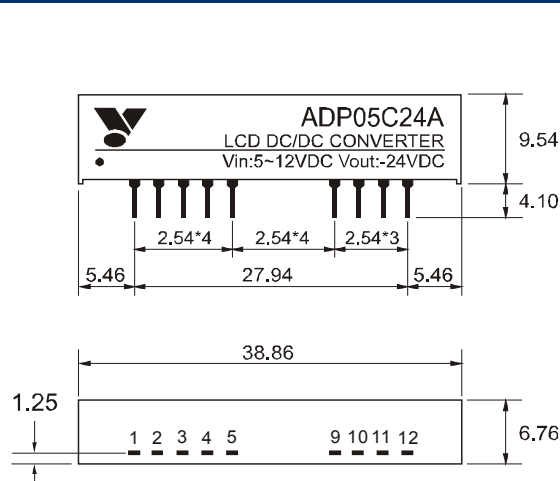


## PIN CONNECTIONS

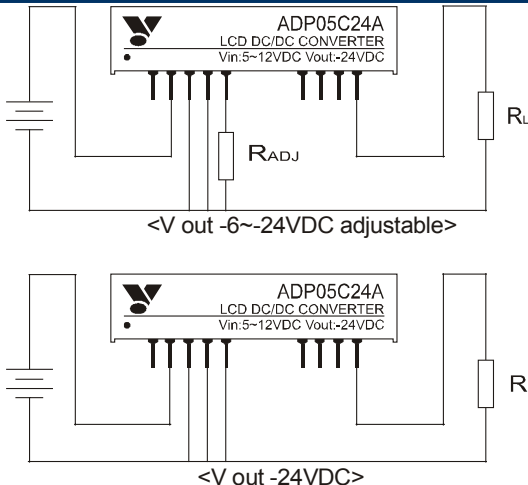


Pin	Function
1	NC
2	VIN
3	GND
4	ON/OFF
5	ADJ
9, 10, 11	NC
12	Vout

## OUTLINE DIMENSIONS & RECOMMENDED FOOTPRINT DETAILS



## Nominate circuitry



**Remark:**

- Pin4 ON/OFF  
When Connected to the ground, the output will be enabled.  
When floating, the output will be disabled.
- Pin5 ADJ  
When connected to the ground, the output is -24VDC;  
When Radj=0~20K, the output range from -6~24VDC;  
When floating, the device will be disabled.

Note: All Pins on a 2.54mm pitch; all Pin diameters are 0.50mm; all dimensions in mm.