

ADP0536A

FEATURES

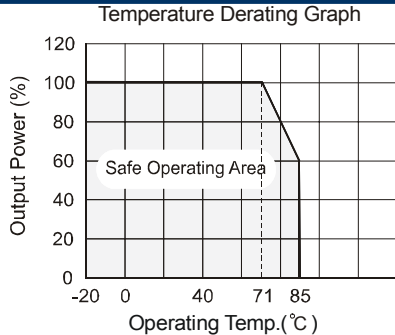
- LCD Display Appropriate
- Single Output
- Small Footprint
- SIP Package
- Industry Standard Pinout
- UL94-V0 Package
- No Heat sink Required
- Temperature Range: -20°C ~+71°C
- No External Components Required

INPUT SPECIFICATIONS				
Part Number	Input Voltage (VDC)			Package Style
	Nominal	Range	Max	
ADP0536A	5	3~6VDC	8VDC	SIP

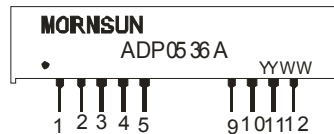
COMMON SPECIFICATIONS	
Temperature rise at full load	25°C Max., 15°C Typ.
Cooling	Free air convection
Operating temperature range	-20°C - +71°C
Storage temperature range	-40°C - +125°C
Lead temperature*	300°C (1.5mm from case for 10 seconds)
Storage humidity range	≤ 90%
Case material	Plastic (UL94-V0)
MTBF	>200,000 hours
*Lead temperature 1.5mm from case for 10 seconds.	

OUTPUT SPECIFICATIONS						
Item		Test conditions	Min	Typ	Max	Units
R _{ADJ} =0Ω	Output Voltage	V _{in} =5.0VDC, R _L =2K, T _A =25°C		+36		V
	Input Current	V _{in} =5.0VDC, R _L =2K, T _A =25°C	90		120	mA
	Ripple and Noise	V _{in} =5~12VDC, R _L =2K, T _A =25°C			400	mVp-p
R _{ADJ} =0~10KΩ V _{out} =18~36VDC	Output Voltage	V _{in} =5.0VDC, R _L =2K, T _A =25°C	+18		+36	V
	Input Current	V _{in} =5.0VDC, R _L =2K, T _A =25°C			120	mA
	Ripple and Noise	V _{in} =5~12VDC, R _L =2K, T _A =25°C			300	mVp-p

TYPICAL CHARACTERISTICS

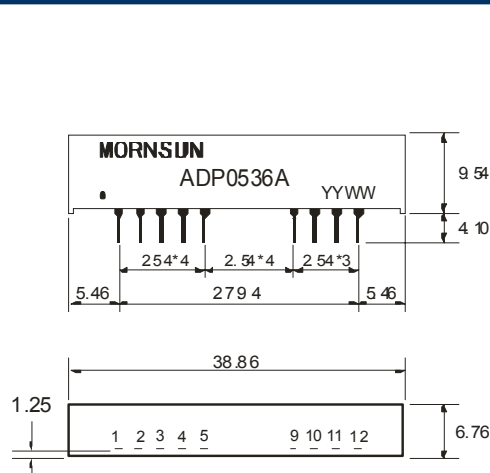


PIN CONNECTIONS

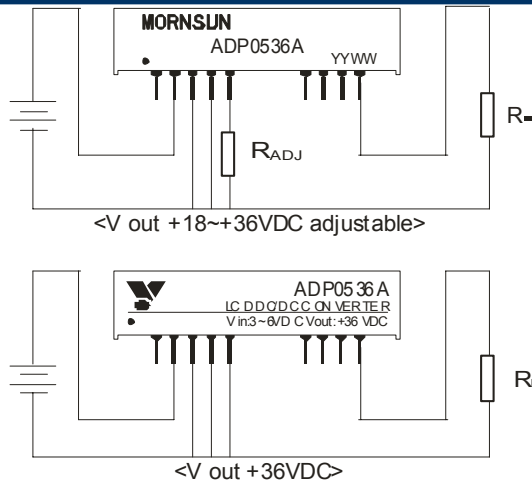


Pin	Function
1	NC
2	VIN
3	GND
4	ON/OFF
5	ADJ
9,10, 11	NC
12	Vout

OUTLINE DIMENSIONS & RECOMMENDED FOOTPRINT DETAILS



Nominate circuitry



Remark:

1. Pin4 ON/OFF
When Connected to the ground, the output will be enabled.
When floating, the output will be disabled.
2. Pin5 ADJ
When connected to the ground, the output is +36VDC;
When Radj=0~10K, the output range from +18~+36VDC;
When floating, the device will be disabled.

Note: All Pins on a 2.54mm pitch; all Pin diameters are 0.50mm; all dimensions in mm.