



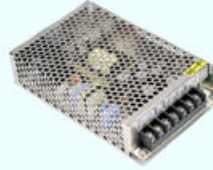
MEAN WELL

SWITCHING POWER SUPPLY

ISO-9001 CERTIFIED MANUFACTURER

ADD-55 SERIES

- .LOW COST, HIGH RELIABILITY
- .105°C OUTPUT CAPACITOR
- .INTERNATIONAL AC INPUT RANGE
- .HIGH EFFICIENCY, LOW WORKING TEMPERATURE
- .SOFT-START CIRCUIT, LIMITING AC SURGE CURRENT
- .SHORT CIRCUIT, OVERLOAD, BATTERY PROTECTED
- .COMPACT SIZE, LIGHT WEIGHT
- .100% FULL LOAD BURN-IN TEST
- .BUILT IN EMI FILTER, LOW RIPPLE NOISE

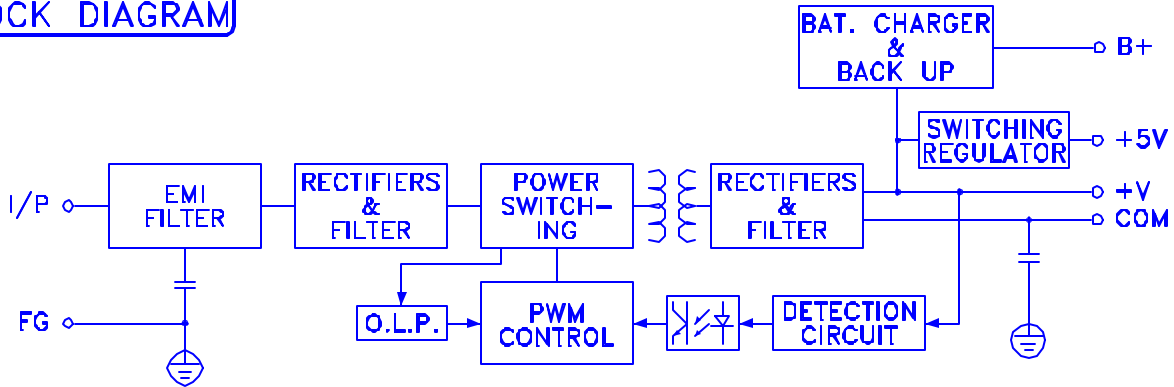


SPECIFICATION	MODEL	ADD-55A			ADD-55B		
		CH1	CH2	CH3	CH1	CH2	CH3
DC OUTPUT VOLTAGE		13.8V	5V	13.4V	27.6V	5V	26.5V
OUTPUT V. TOLERANCE		±1%	±3%	-----	±1%	±3%	-----
OUTPUT RATED CURRENT		2.5A	3A	0.23A	1.3A	3A	0.16A
OUTPUT CURRENT RANGE		0-3.5A	0-4A	-----	0-2A	0-4A	-----
RIPPLE & NOISE		100mVp-p	100mVp-p	-----	150mVp-p	150mVp-p	-----
LINE REGULATION		±1%	±0.5%	-----	±1%	±0.5%	-----
LOAD REGULATION		±1%	±0.5%	-----	±1%	±0.5%	-----
DC OUTPUT POWER		52.58W			55.12W		
EFFICIENCY		71%			74%		
DC VOLTAGE ADJ.		CH1:12-14.5V			CH1:24-29V		
INPUT VOLTAGE RANGE		88~264VAC 47~63Hz; 120~370VDC					
AC CURRENT		1.6A/115V 1A/230V					
INRUSH CURRENT		COLD START 20A/115V 40A/230V					
LEAKAGE CURRENT		<1mA/240VAC					
OVERLOAD PROTECTION		105%~150% / 230VAC TYPE:PULSING-HICCUP SHUTDOWN RESET:AUTO RECOVERY					
OVER VOLTAGE PROTECTION		CH1:105%~135% TYPE:PULSE BY PULSE					
DC ALARM SIGNAL(OPTION)		AC FAIL CN1 PIN2 BATTERY LOW UNDER CHARGE VOLTAGE 82.5%±2% CN1 PIN1 NORMAL 0.8V MAX. ABNORMAL 5V±0.5V					
TEMP. COEFFICIENT		±0.03% / °C (0~50°C) ON CH1 OUTPUT					
SETUP, RISE, HOLD UP TIME		1.6s, 50ms, 16ms/115VAC 800ms, 50ms, 60ms / 230VAC					
VIBRATION		10~500Hz, 2G 10min./1cycle, PERIOD FOR 60min. EACH AXES					
WITHSTAND VOLTAGE		I/P-O/P:3KVAC I/P-FG:1.5KVAC O/P-FG:0.5KVAC					
ISOLATION RESISTANCE		I/P-O/P, I/P-FG, O/P-FG:500VDC / 100M Ohms					
WORKING TEMP., HUMIDITY		-10°C~+60°C(REFER TO OUTPUT DERATING CURVE), 20%~90% RH					
STORAGE TEMP., HUMIDITY		-20°C~+85°C, 10%~95% RH					
DIMENSION		159*97*38mm CASE:901					
WEIGHT		0.57Kgs					
SAFETY STANDARDS		MEET IEC950 REQUIREMENT (NOT APPLY FOR THE MARK)					
EMC STANDARDS		MEET CISPR22 (EN55022) CLASS B, EN61000-4-2,3,4,5,6,8,11,EN61000-3-2,-3					

NOTE :

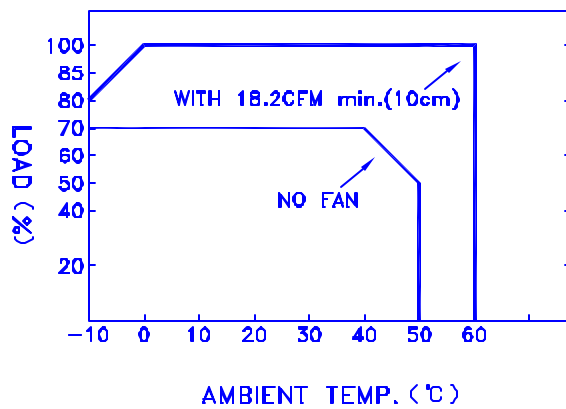
- 1.ALL PARAMETERS ARE SPECIFIED AT 230VAC INPUT, RATED LOAD, 25°C 70% RH. AMBIENT.
- 2.TOLERANCE INCLUDE SET UP TOLERANCE, LINE REGULATION, LOAD REGULATION.
- 3.RIPPLE & NOISE ARE MEASURED AT 20MHz BY USING A 12" TWISTED PAIR TERMINATED WITH A 0.1uF & 47uF CAPACITOR.
- 4.LINE REGULATION IS MEASURED FROM LOW LINE TO HIGH LINE AT RATED LOAD.
- 5.LOAD REGULATION IS MEASURED FROM 20% TO 100% RATED LOAD, AND OTHER OUTPUT AT 60% RATED LOAD.
- 6.EACH OUTPUT PROVIDE UP TO MAXIMUM CURRENT, BUT TOTAL LOAD CAN NOT EXCEED MAX. OUTPUT POWER.
- 7.CH3 Bat. CHARGER VOLTAGE AT NO LOAD, RATED CURRENT AT Bat. V=11V/22V.

BLOCK DIAGRAM

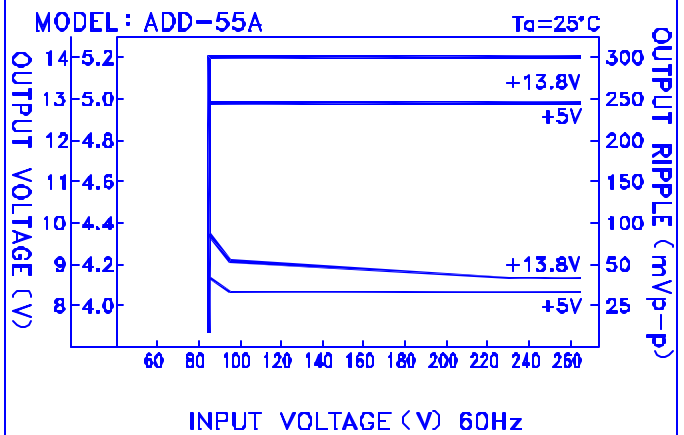


fosc : 45KHz

OUTPUT DERATING



STATIC CHARACTERISTICS



DIMENSION (mm)

- ☒ CASE : 901
- ☒ TERMINAL PIN NO. ASSIGNMENT
 - ☒ PIN 1,2 : AC INPUT
 - ☒ PIN 3 : FG \perp
 - ☒ PIN 4 : DC OUTPUT COM
 - ☒ PIN 5 : DC OUTPUT +V
 - ☒ PIN 6 : BAT. +
 - ☒ PIN 7 : BAT. -/COM
 - ☒ PIN 8 : DC/DC OUTPUT +5V

