



TRI-MAG, Inc.

® *your* POWER Specialists

1601 N. CLANCY CT. • VISALIA, CA 93291
(559) 651-2222 • FAX (559) 651-0188
<http://www.tri-mag.com>
<http://eemonline.com/tri-mag>
tri-mag@worldnet.att.net

975ZX SERIES

15 Watt

DC-DC CONVERTER

4:1 Wide Range Input

FEATURES

- PCB Mountable
- High Stable Regulated Output
- Thermally Conductive Encapsulant
- 100% Burn-In And Triple Tested
- MTBF > 400,000 Hours

APPLICATIONS

- Local Area Network
- Isolation Devices
- Telecommunications
- Industrial And Testing Equipment
- Battery-Powered Equipment
- Medical Equipment
- Distributed Power Equipment



ELECTRICAL SPECIFICATIONS

Input Voltage Range	4:1
Output voltage Accuracy	±2%
Load Regulation	Single ±1%, Dual ±2.5%
Line Regulation	Single & Dual ±0.5%, Triple ±1%
Ripple & Noise	50mV p-p for 5V, 1% for other voltages
Short Circuit Protection	Fold-Back
Over Load Protection	Build-in

GENERAL SPECIFICATIONS

Efficiency (at full load)	70% typical
Isolation Voltage	500VDC
Operating Frequency	100KHz min.
Operating Temperature	-25°C to +70°C
Storage Temperature	-40°C to +100°C
Isolation Resistance	10 ⁹ Ohms, min.
Reflected Ripple Current	20mA, typical
weight	12 Oz. (340 grams)
Case Material	Black coated with non-conductive metal base



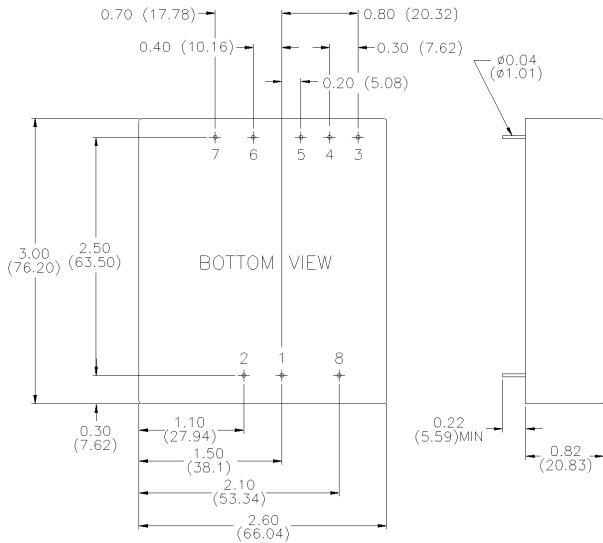
TRI-MAG, Inc.
 your POWER Specialists

1601 N. CLANCY CT. • VISALIA, CA 93291
 (559) 651-2222 • FAX (559) 651-0188
<http://www.tri-mag.com>
<http://eemonline.com/tri-mag>
 tri-mag@worldnet.att.net

975ZX SERIES SINGLE AND DUAL OUTPUT SPECIFICATIONS

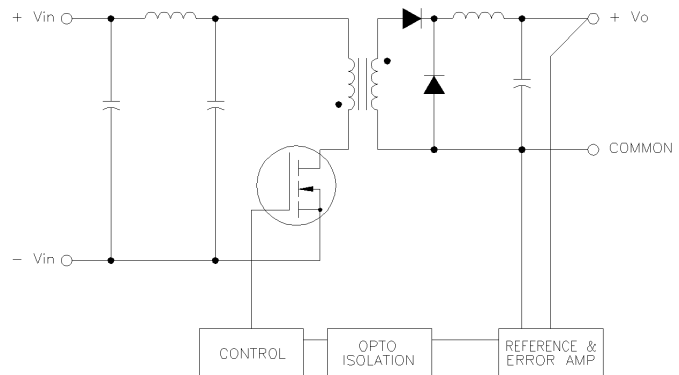
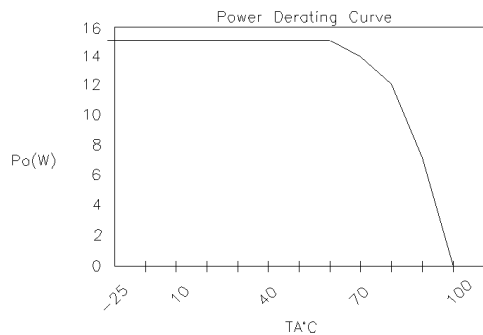
Model-Type	Input Voltage (Vdc)	Input Current mA (typ)		Output Voltage (Vdc)	Output Current mA (max)
		No Load	Full Load		
975ZX2405S	9-36 (24)	40	1665	5	3000
975ZX2412S		40	1600	12	1250
975ZX2415S		40	1580	15	1000
975ZX2412D		40	1600	±12	±625
975ZX2415D		40	1560	±15	±500
975ZX4805S	20-72 (48)	30	800	5	3000
975ZX4812S		30	780	12	1250
975ZX4815S		30	780	15	1000
975ZX4812D		30	780	±12	±625
975ZX4815D		30	780	±15	±500

S: Single Output D: Dual Output



Pin Connections

Pin	Single	Dual	Triple
1	+ Input	+ Input	+ Input
2	- Input	- Input	- Input
3	No Pin	+ Output	+ Output
4	Trim	Common	Common
5	No Pin	- Output	- Output
6	+ Output	No Pin	+5v Output
7	- Output	No Pin	No Pin
8	On/Off		



**TRI-MAG, Inc.**® *your* **POWER** Specialists

1601 N. CLANCY CT. • VISALIA, CA 93291

(559) 651-2222 • FAX (559) 651-0188

<http://www.tri-mag.com><http://eemonline.com/tri-mag>

tri-mag@worldnet.att.net

975ZX SERIES TRIPLE OUTPUT SPECIFICATIONS

Model-Type	Input Voltage (Vdc)	Input Current mA (typ)		Output Voltage (Vdc)	Output Current mA (max)
		No Load	Full Load		
975ZX24T01	9-36 (24)	40	1575	+5 +12 -12	1500 310 310
975ZX24T02		40	1645	+5 +15 -15	1500 250 250
975ZX24T03		40	1525	+5 +12 -5	1500 310 500
975ZX48T01	36-72 (48)	30	830	+5 +12 -12	1500 310 310
975ZX48T01		30	820	+5 +15 -15	1500 250 250
975ZX48T01		30	740	+5 +12 -5	1500 310 500