



TRI-MAG, Inc.

® *your* POWER Specialists

1601 N. CLANCY CT. • VISALIA, CA 93291
(559) 651-2222 • FAX (559) 651-0188
<http://www.tri-mag.com>
<http://eemonline.com/tri-mag>
tri-mag@worldnet.att.net

975ZW SERIES

15 Watt

DC-DC CONVERTER
2:1 Wide Range Input

FEATURES

- PCB Mountable
- High Stable Regulated Output
- Thermally Conductive Encapsulant
- 100% Burn-In And Triple Tested
- MTBF > 400,000 Hours

APPLICATIONS

- Local Area Network
- Isolation Devices
- Telecommunications
- Industrial And Testing Equipment
- Battery-Powered Equipment
- Medical Equipment
- Distributed Power Equipment



ELECTRICAL SPECIFICATIONS

Input Voltage Range	2:1
Output voltage Accuracy	±2%
Load Regulation	Single ±1%, Dual ±2.5% ,Triple ±2.5%
Line Regulation	Single & Dual ±0.5%, Triple ±1%, (±1% / ±5%)
Ripple & Noise	50mV p-p for 5V, 1% for other voltages
Short Circuit Protection	Fold Back
Overload Protection	Build-in

GENERAL SPECIFICATIONS

Efficiency (at full load)	70% typical
Isolation Voltage	500VDC
Operating Frequency	50KHz min.
Operating Temperature	-25°C to +70°C
Storage Temperature	-40°C to +100°C
Isolation Resistance	10 ⁹ Ohms, min.
Reflected Ripple Current	20mA, typical
weight	12 Oz. (340 grams)
Case Material	Black coated with non-conductive metal base



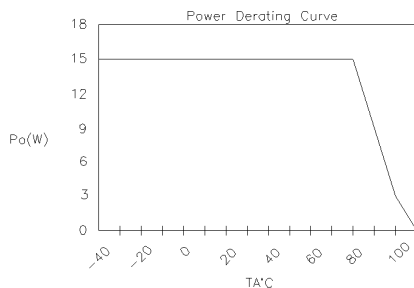
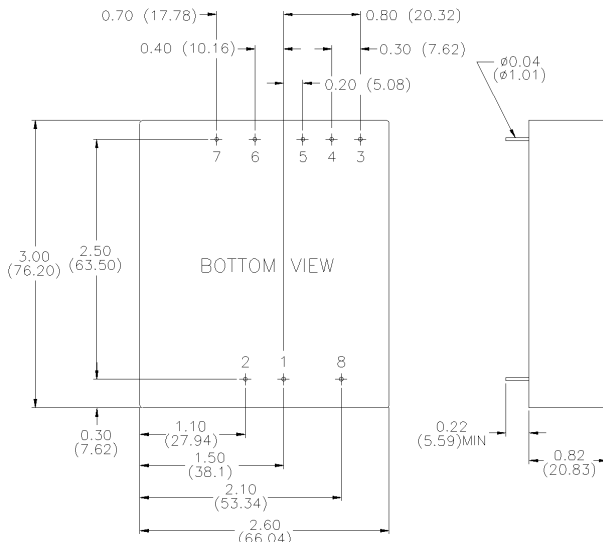
TRI-MAG, Inc.
 your POWER Specialists

1601 N. CLANCY CT. • VISALIA, CA 93291
 (559) 651-2222 • FAX (559) 651-0188
<http://www.tri-mag.com>
<http://eemonline.com/tri-mag>
 tri-mag@worldnet.att.net

972ZW SERIES SINGLE AND DUAL OUTPUT SPECIFICATIONS

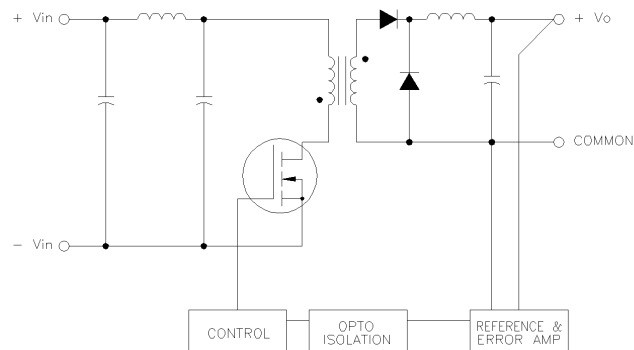
Model Type	Input Voltage (Vdc)	Input Current mA (typ)		Output Voltage (Vdc)	Output Current mA (max)
		No Load	Full Load		
975ZW1205S	9-18 (12)	75	1665	5	3000
975ZW1212S		80	1560	12	1250
975ZW1215S		90	1560	15	1000
975ZW1212D		85	1560	±12	±625
975ZW1215D		90	1560	±15	±500
975ZW2405S	18-36 (24)	35	800	5	3000
975ZW2412S		45	780	12	1250
975ZW2415S		50	780	15	1000
975ZW2412D		50	780	±12	±625
975ZW2415D		50	780	±15	±500
975ZW4805S	36-72 (48)	30	400	5	3000
975ZW4812S		30	390	12	1250
975ZW4815S		30	390	15	1000
975ZW4812D		30	390	±12	±625
975ZW4815D		30	390	±15	±500

S: Single Output D: Dual Output



Pin Connections

Pin	Single	Dual	Triple
1	+ Input	+ Input	+ Input
2	- Input	- Input	- Input
3	No Pin	+ Output	+ Output
4	Trim	Common	Common
5	No Pin	- Output	- Output
6	+ Output	No Pin	+5v Output
7	- Output	No Pin	No Pin
8	On/Off		





TRI-MAG, Inc.

® *your* POWER Specialists

1601 N. CLANCY CT. • VISALIA, CA 93291
 (559) 651-2222 • FAX (559) 651-0188
<http://www.tri-mag.com>
<http://eemonline.com/tri-mag>
tri-mag@worldnet.att.net

975ZW SERIES TRIPLE OUTPUT SPECIFICATIONS

Model-Type	Input Voltage (Vdc)	Input Current mA (typ)		Output Voltage (Vdc)	Output Current mA (max)
		No Load	Full Load		
975ZW12T01	9-18 (12)	90	1660	+5 +12 -12	1500 310 310
975ZW12T02		90	1645	+5 +15 -15	1500 250 250
975ZW12T03		90	1465	+5 +12 -5	1500 310 500
975ZW24T01	18-36 (24)	60	800	+5 +12 -12	1500 310 310
975ZW24T02		60	800	+5 +15 -15	1500 250 250
975ZW24T03		60	730	+5 +12 -5	1500 310 500
975ZW48T01	36-72 (48)	35	415	+5 +12 -12	1500 310 310
975ZW48T01		35	400	+5 +15 -15	1500 250 250
975ZW48T01		35	360	+5 +12 -5	1500 310 500