

- AC input range selected by switch
- With +5VSB:0 ~ 1.5A max.
- Power good signal output
- Power fail signal output
- Approvals: UL/ CUL/ CB/CE
- Forced air cooling by builtin DC fan!
- 100% full load burn-in test
- Low cost
- 1 years warranty

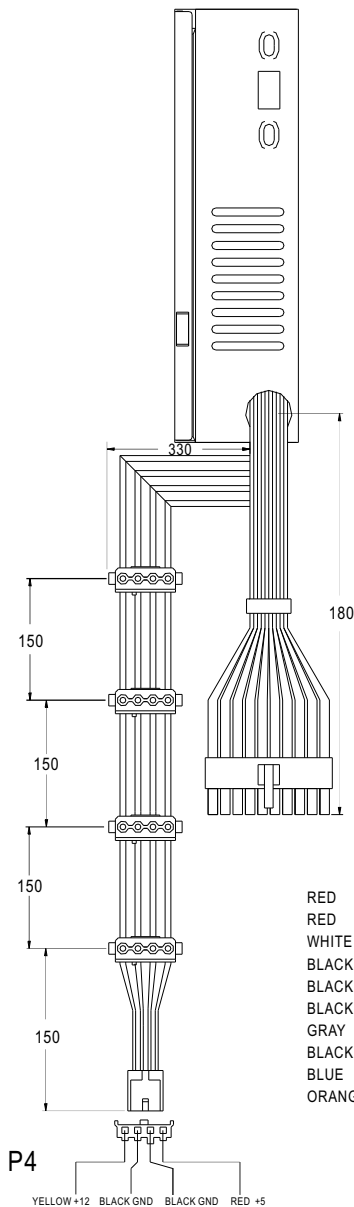
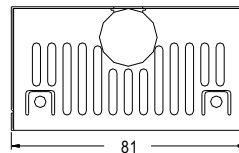
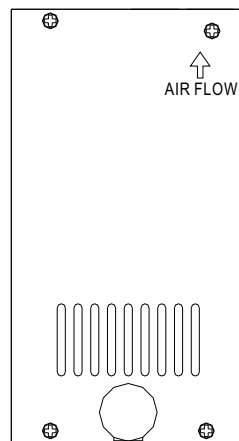
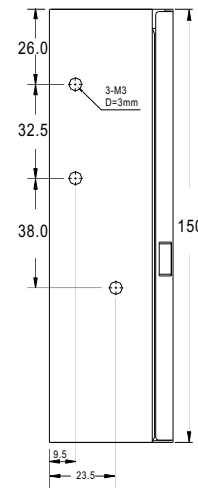
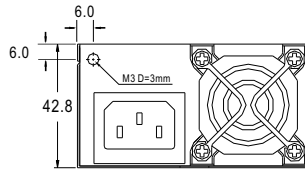


### SPECIFICATION

MODEL		CH1	CH2	CH3	CH4	CH5	STANDBY
OUTPUT	DC VOLTAGE	3.3V	5V	12V	-5V	-12V	5VSB
	MINIMUM CURRENT	1.2A	2.4A	1.0A	0.1A	0.1A	0A
	MAXIMUM CURRENT	6.0A	12A	5.0A	0.5A	0.5A	1.5A
	RATED POWER (max.)	150W continue maximum					
	RIPPLE & NOISE (max.) Note.2	50mVp-p	100mVp-p	120mVp-p	150mVp-p	150mVp-p	100mVp-p
	LINE REGULATION	±1%	±1%	±1%	±2%	±2%	±1%
	LOAD REGULATION Note.3	±5%	±5%	±10%	±10%	±10%	±5%
HOLD UP TIME	16ms min. at full load						
INPUT	VOLTAGE RANGE	90 ~ 132VAC/180 ~ 264VAC selected by switch					
	FREQUENCY RANGE	47~63Hz					
	EFFICIENCY (Typ.)	70% at full load and nominal input voltage					
	AC CURRENT	5.0A RMS max. FOR 115VAC and 3.0 RMS max. For 230VAC					
	INRUSH CURRENT (max.)	40A for 115VAC, 80A for 230VAC at COLD START					
LEAKAGE CURRENT	<3.5mA / 240VAC						
PROTECTION	SHORT/OVER LOAD	All output equipped with over current protection					
FUNCTION	POWER GOOD SIGNAL	The TTL compatible signal out with 100ms to 500ms delay after power set up					
	POWER FAIL SIGNAL	The TTL compatible signal will go down at least 1ms before +5V below 4.75V					
ENVIRONMENT	WORKING TEMP., HUMIDITY	-10~+40°C @100% LOAD, +60°C @ 50% LOAD, 20~90% RH non-condensing					
	STORAGE TEMP., HUMIDITY	-20~+85°C, 10~95% RH					
	TEMP. COEFFICIENT	±0.04%/°C (0~50°C)					
	VIBRATION	10~200Hz, 2G 10min./1cycle, 60min. each along X, Y, Z axes					
SAFETY & EMC	SAFETY STANDARDS	UL1950 Approved					
	EMI CONDUCTION & RADIATION	Compliance to EN55022 (CISPR22) Class B					
	HARMONIC CURRENT	Compliance to EN61000-3-2,-3, Class A					
	EMS IMMUNITY	Compliance to EN61000-4-2,3,4,5,6,8,11, Light industry level, criteria A					
	WITHSTAND VOLTAGE	I/P-O/P:3KVAC I/P-FG:1.5KVAC for 1min.					
ISOLATION RESISTANCE	I/P-O/P, I/P-FG:100M Ohms/500VDC						
OTHERS	CONNECTOR	4P/ 5.08mm*4ea + 4P/ 2.54mm*1ea 20P main connector*1ea					
	DIMENSION	150*82*42.8mm (L*W*H)					
	PACKING	0.7Kgs/pcs					
NOTE	<p>1. All parameters NOT specially mentioned are measured at 230VAC input, rated load and 25°C of ambient temperature.</p> <p>2. Ripple &amp; noise are measured at 20MHz of bandwidth by using a 12" twisted pair-wire terminated with a 0.1uf &amp; 47uf parallel capacitor.</p> <p>3. Load regulation is measured from 20% to 100% max. load.</p>						

## Mechanical Specification

Unit:mm



- |        |       |  |        |      |
|--------|-------|--|--------|------|
| RED    | +5    |  | YELLOW | +12  |
| RED    | +5    |  | PURPLE | 5VSB |
| WHITE  | -5    |  | GREEN  | PW-O |
| BLACK  | GND   |  | BLACK  | GND  |
| BLACK  | GND   |  | RED    | +5   |
| BLACK  | GND   |  | BLACK  | GND  |
| GRAY   | PS-ON |  | RED    | +5   |
| BLACK  | GND   |  | BLACK  | GND  |
| BLUE   | -12   |  | ORANGE | +3.3 |
| ORANGE | +3.3  |  | ORANGE | +3.3 |

POWER WIRE LENGTH	
20P	P4
180	930